

ESTD •

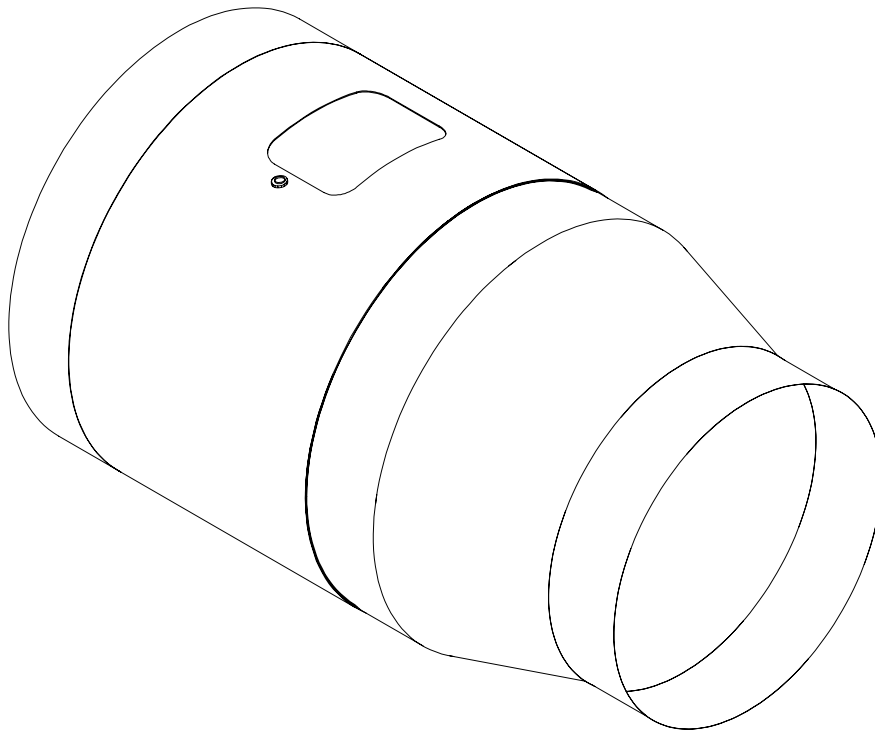


• 1989

**KLIMAGIEL®**

l'aria che ti rispetta

## **DESTRATIFIER**



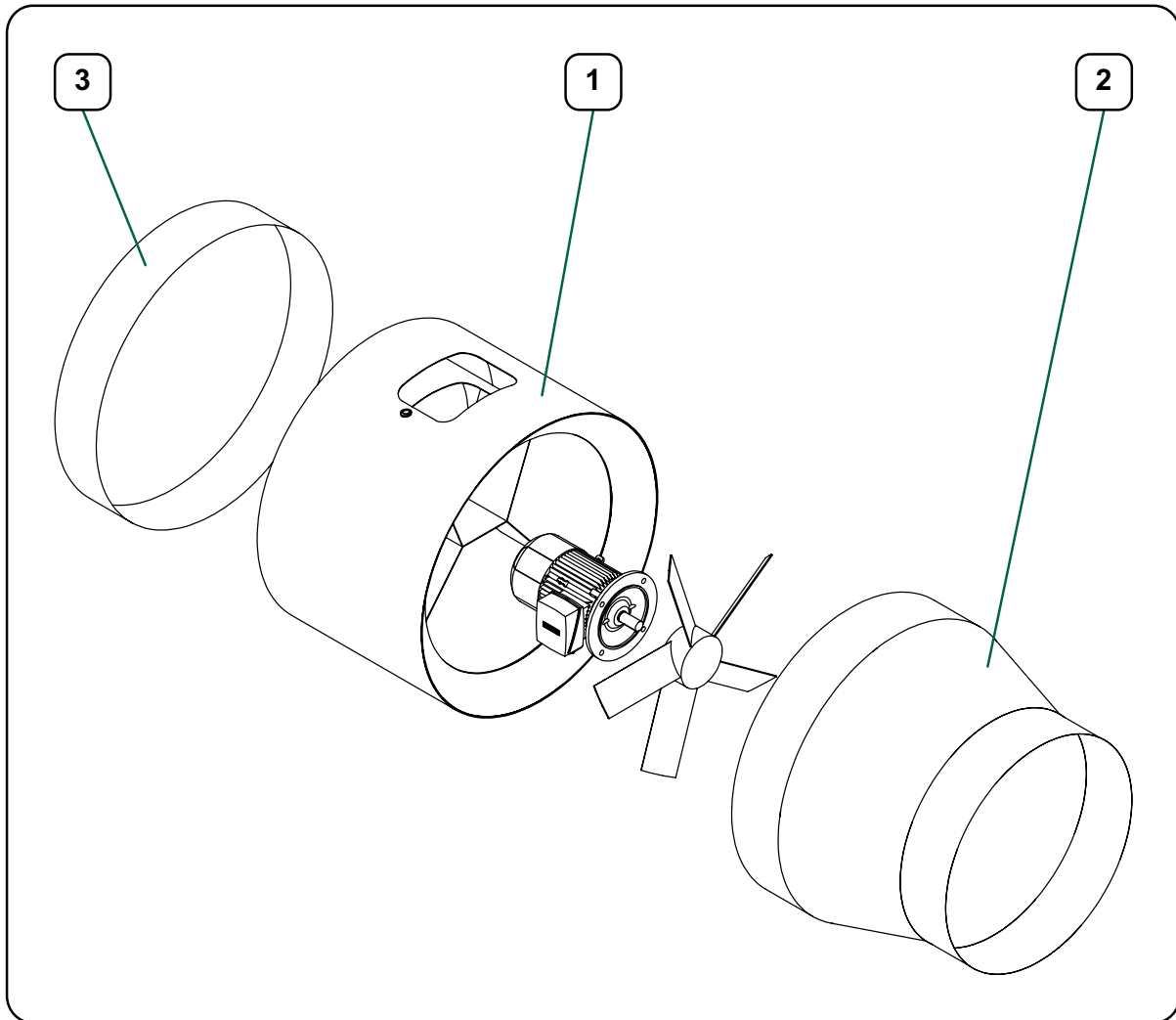
## **Installation Instructions**

**Translation of original instructions - EN**

# 1 OPTIONAL INLETS

## 1.1 DESTRAFIFIER

The product is a fan to be installed at the inlet of the circular duct.  
The main components of the product are described below.

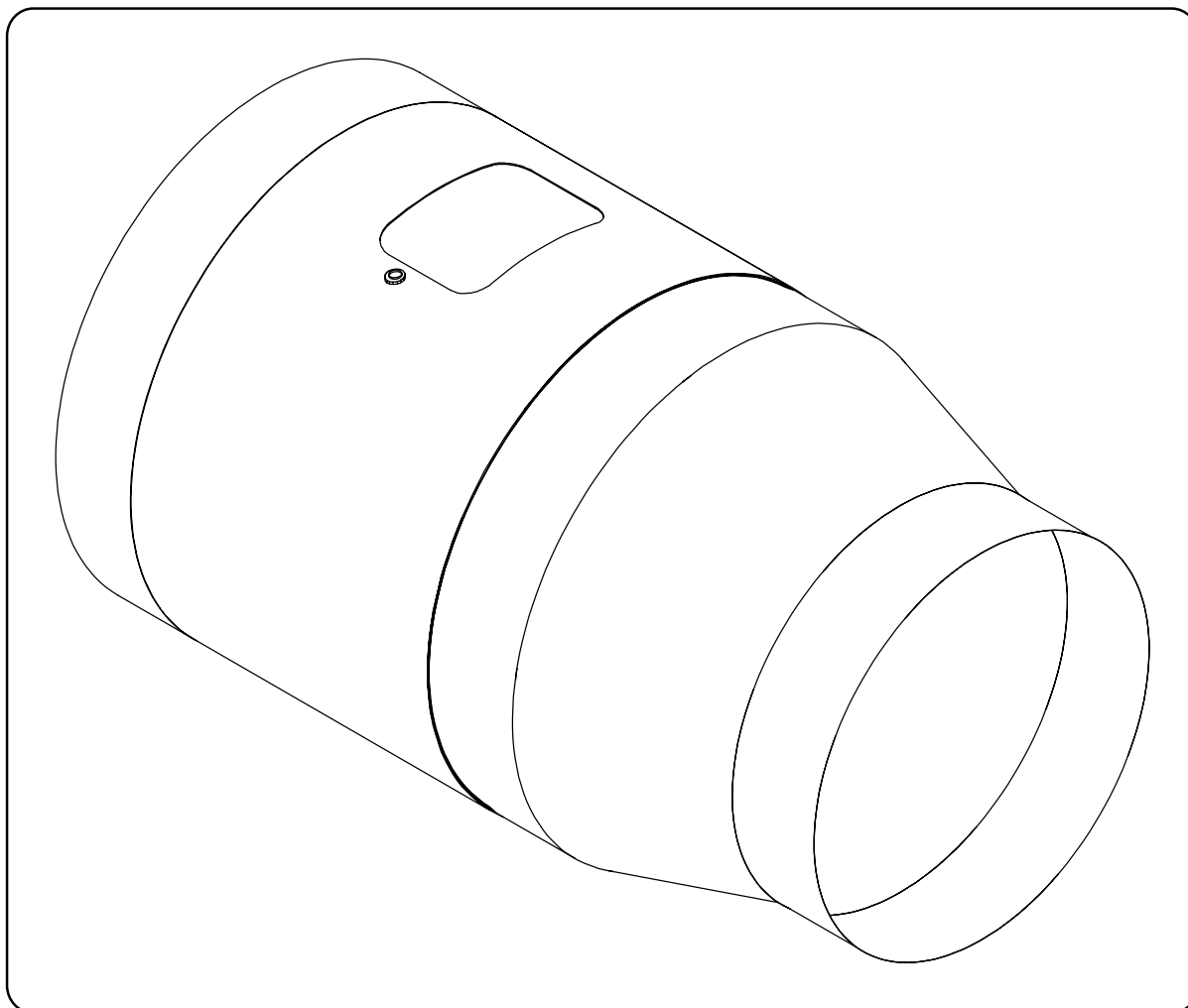


REFERENCE	DESCRIPTION	CUSTOMER'S RESPONSIBILITIES
<b>1</b>	Fan	
<b>2</b>	Fitting	
<b>3</b>	Perforated cap	

**Tab. 1** General description



The accessories for attaching the duct to the fan must be chosen with the type of duct (fabric or metal) in mind.



**Klimagiel S.r.l.**

Via Mezzacampagna, 52/37  
37135 Verona (VR), Italy  
Tel. +39 045 916672 ext. 208  
Fax. +39 045 8344222  
E-mail: klimagiel@klimagiel.it  
P.Iva/C.f. 02868700234  
SDI M5UXCR1  
www.klimagiel.it

