

ESTD •

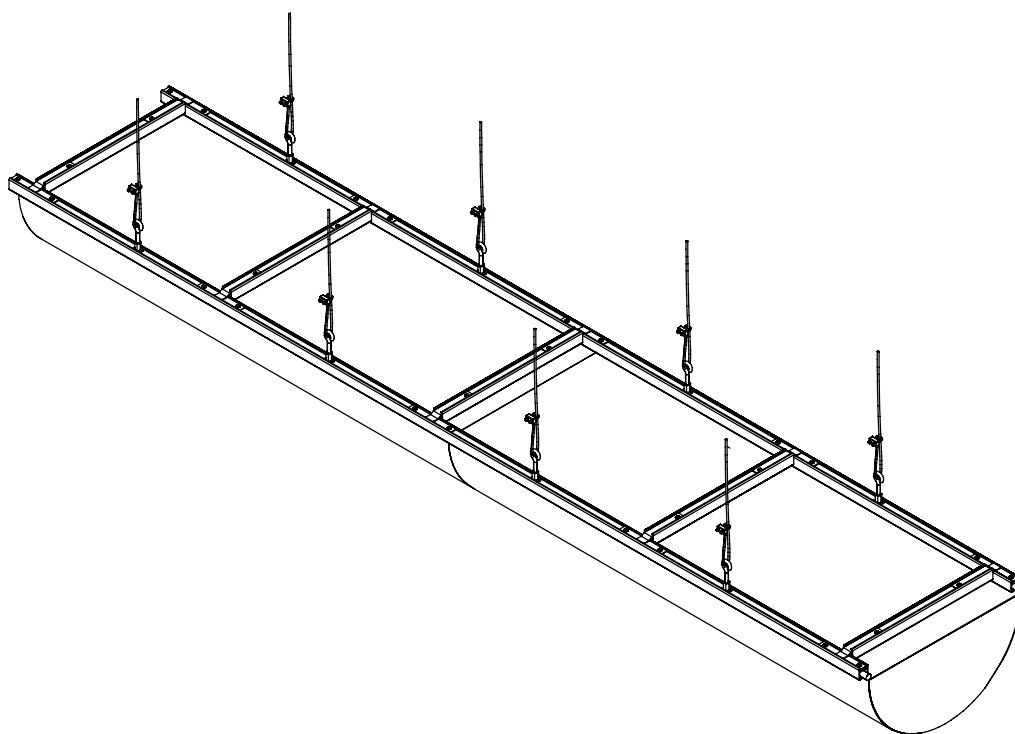


• 1989

KLIMAGIEL®

l'aria che ti rispetta

SEMICIRCULAR FABRIC DUCT SUSPENDED WITH PROFILES



Installation Instructions

Translation of original instructions - EN


1 GENERAL INFORMATION

1.1 RECIPIENTS OF THE DOCUMENT AND TASKS

This Document is intended for the Technical Installer personnel who have the technical-professional requisites to carry out specialised work on the product, in compliance with the instructions contained in this Document and in accordance with the relevant safety standards.





1.2 USING THE SYMBOLS

To draw the attention of users to the correct and safe use of the product, the following graphic symbol is adopted in this Document:

	The symbol is used to call the attention to especially important information.
---	---

The graphic symbols listed in the following table are also adopted in this Document to represent Personal Protective Equipment (PPE).

The symbol of each device will be indicated whenever a particular operation described in this Document requires its use.

SYMBOL	MEANING
	It is mandatory to wear protective gloves when performing the relevant operations.
	It is mandatory to wear protective shoes when performing the relevant operations.
	It is mandatory to wear a protective helmet when performing the relevant operations.
	It is mandatory to wear a protective mask when performing the relevant operations.

Tab. 1 Graphic symbols adopted for PPE

1.3 PRODUCT IDENTIFICATION DATA

Each main component of the product is identified by an identification code described below. Sequential identification codes provide an indication of the assembly sequence.

1.3.1 Fabric product identification code

The identification code of the fabric product can be found on the label sewn inside the main components of the product.

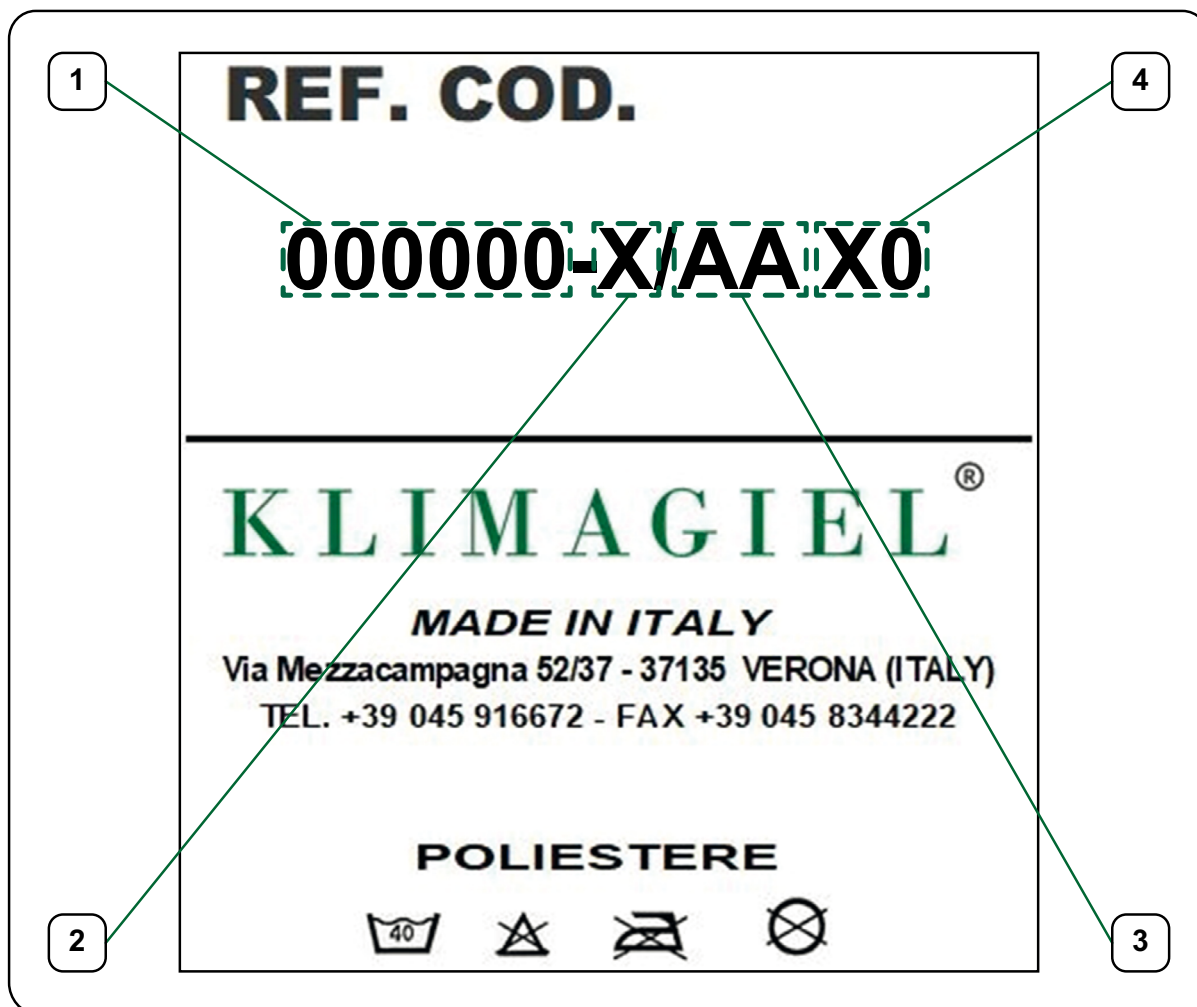


Fig. 1 Fabric product identification code

REFERENCE	DESCRIPTION
1	Job number
2	Product installation country code
3	Year of product construction
4	Product component identification code (refer to the documentation provided with this Document, in particular the technical drawings)

Tab. 2 Fabric product identification code



ESTD ·

· 1989

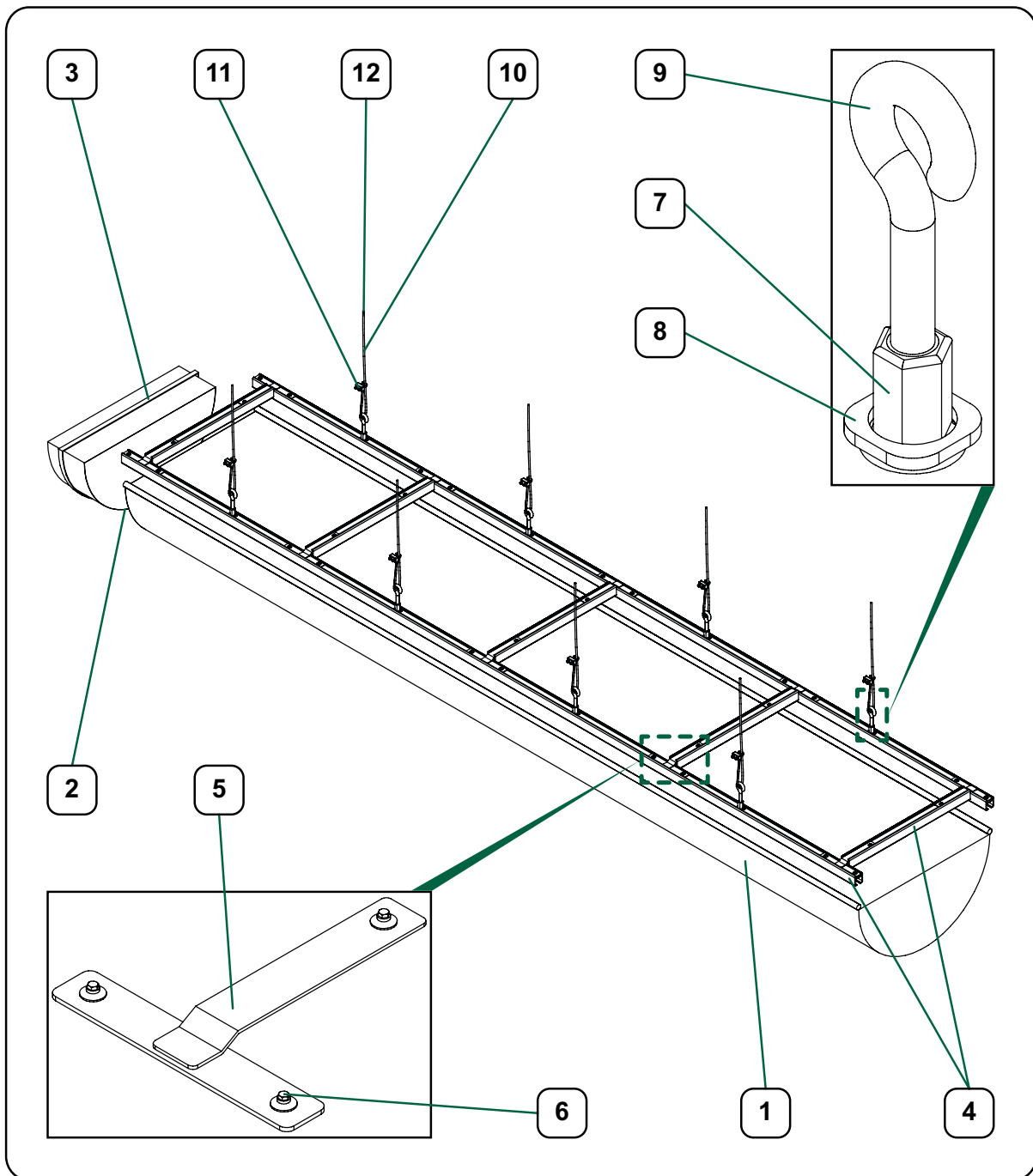
KLIMAGIEL®

Semicircular fabric duct suspended with profiles

2 SEMI-CIRCULAR FABRIC DUCT SUSPENDED WITH PROFILES

2.1 GENERAL DESCRIPTION

The product is a semi-circular fabric duct suspended with profiles.
The main components of the product are described below.



REFERENCE	DESCRIPTION	CUSTOMER'S RESPONSIBILITIES
1	Duct, consisting of: - intermediate sections; - initial section; - end cover.	
2	Hinges	
3	Metal band	
	Suspension system, consisting of:	
4	- Profiles	
5	- T-shaped profile joints	
6	- Profile joint fastening screws	
7	- M8 threaded inserts	
8	- Washers	
9	- Eyebolts	
10	- Cables	
11	- Clamps	
12	Ceiling hooks	X

Tab. 3 General description

2.2 INSTALLATION INSTRUCTIONS



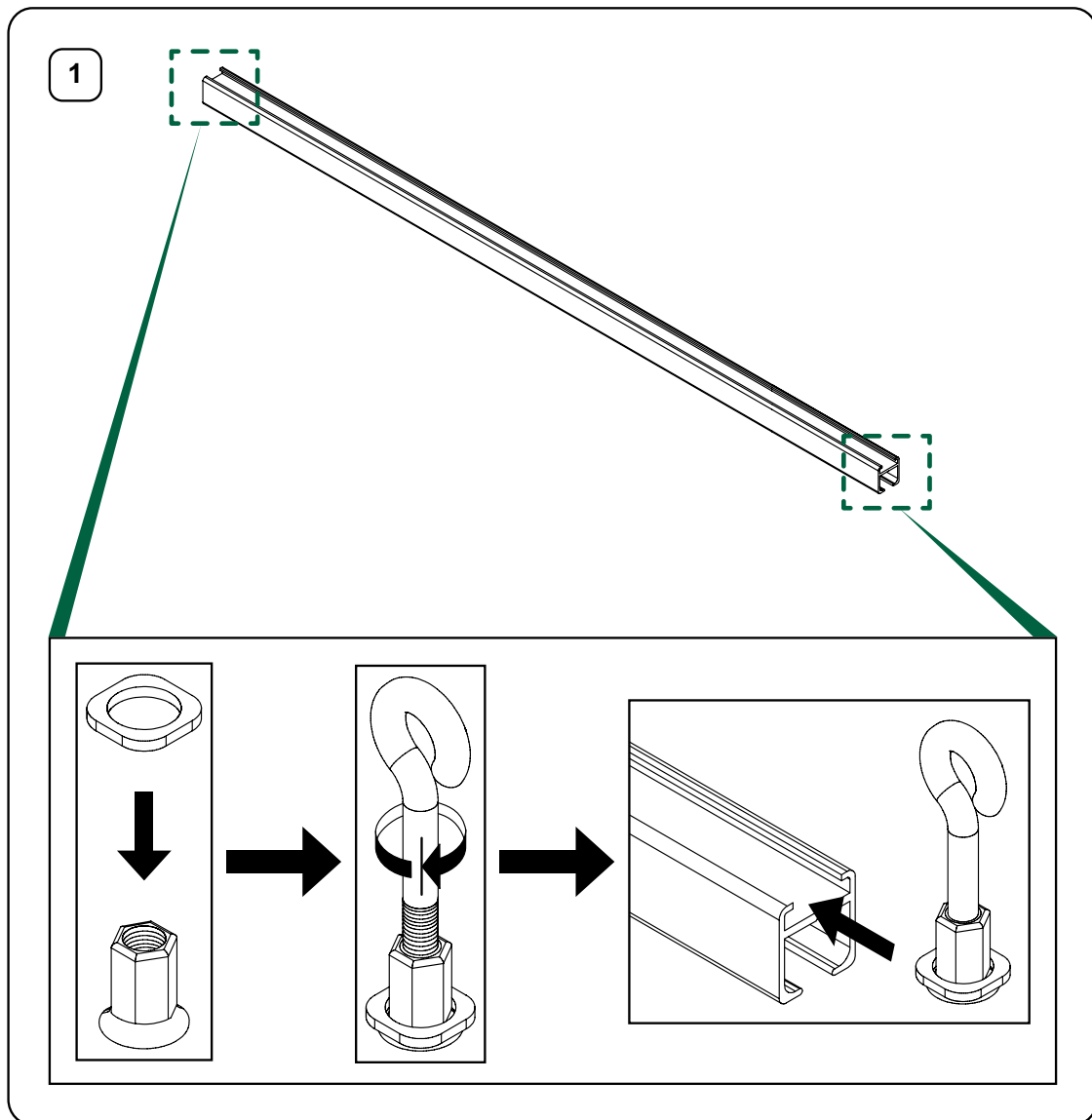
A standard tool kit must be prepared for installation operations.
The following PPE must be used for installation operations **it is mandatory**:

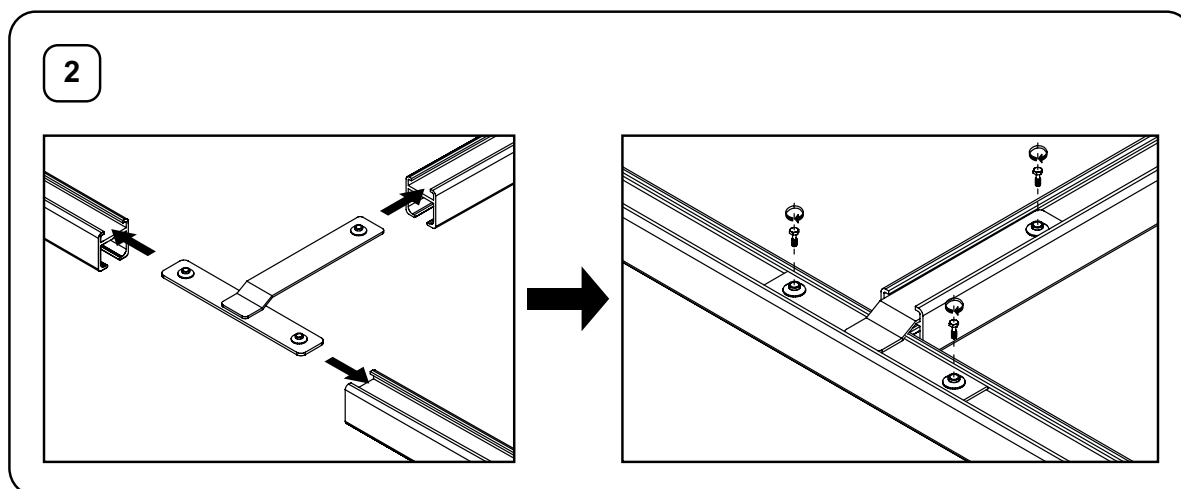


Instructions for the installation of the duct with rods are described below. The following instructions are however also generally valid for the installation of the duct with hangers.

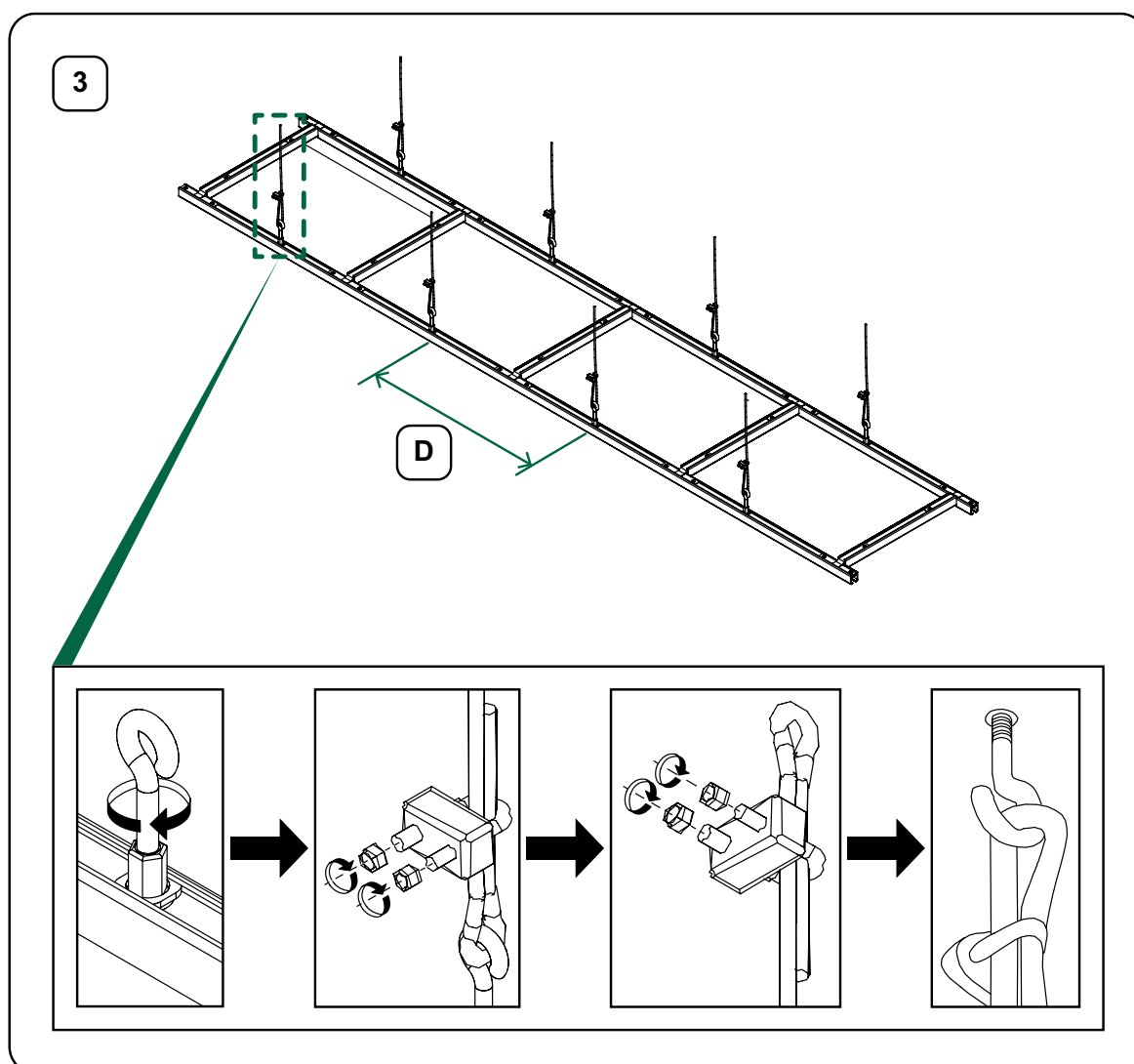


Insert the following components into the profiles:
- M8 threaded inserts;
- washers;
- eyebolts.





Install cross-pieces with a recommended centre distance (**D**) of 1.5 m.



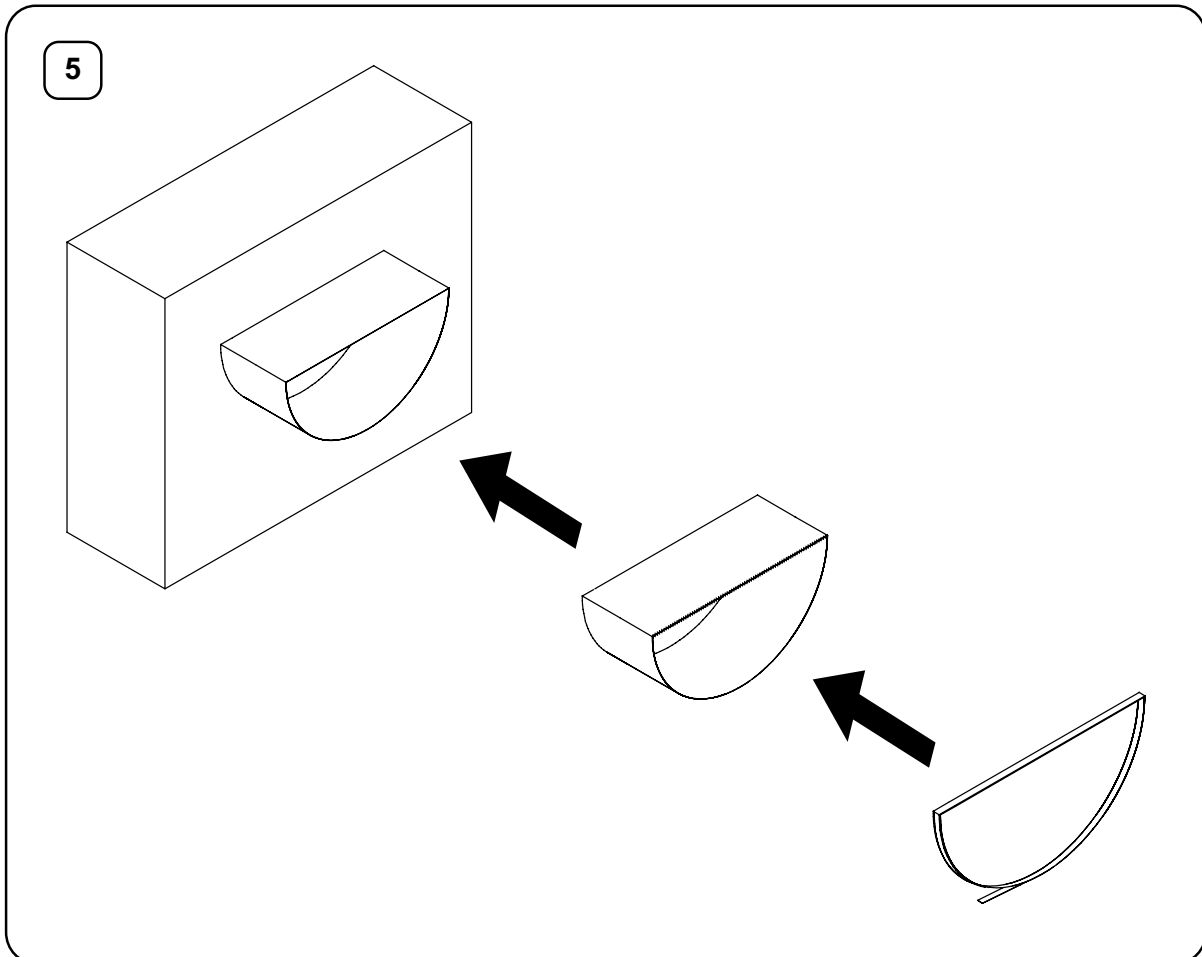
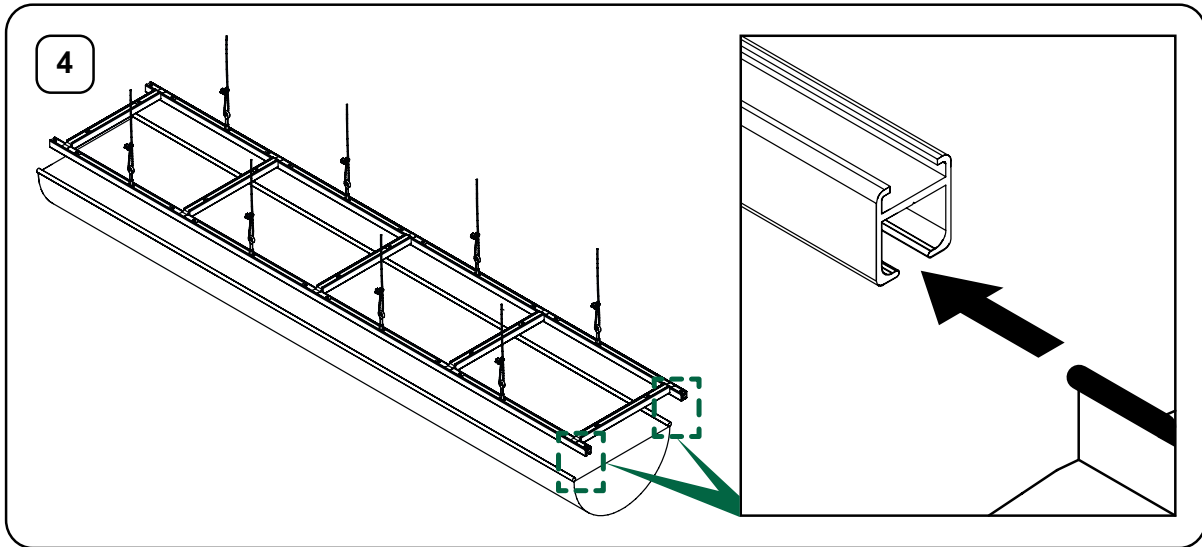


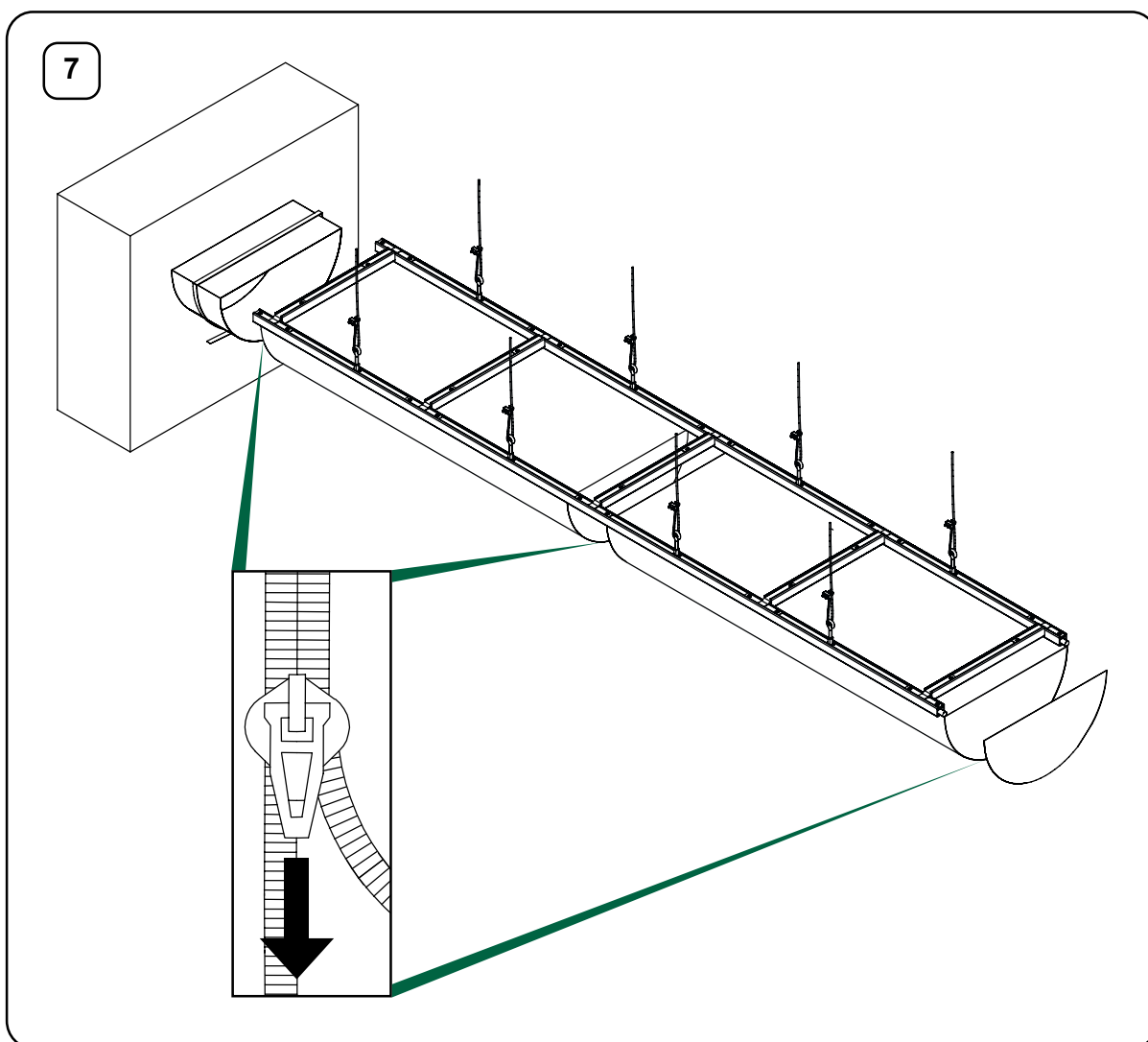
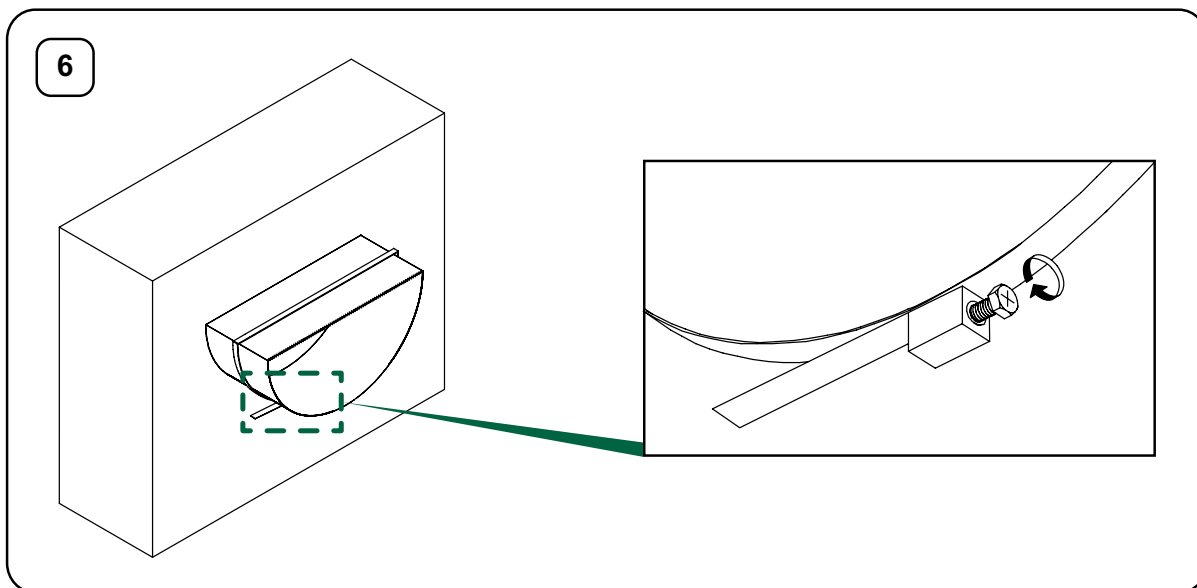
ESTD ·

· 1989

KLIMAGIEL®

Semicircular fabric duct suspended with profiles







ESTD ·

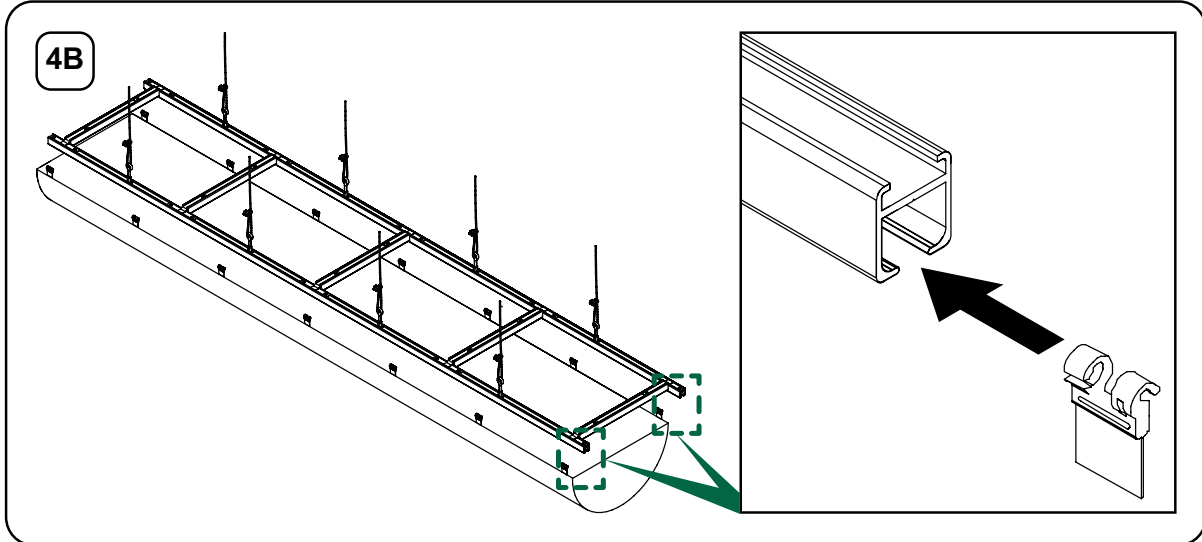
· 1989

KLIMAGIEL®





Semicircular fabric duct suspended with profiles



When installing the duct with hangers, insert the hangers into the profiles.








3 MAINTENANCE INSTRUCTIONS

	For machine maintenance work it is mandatory to use the following PPE:   
---	--


Maintenance includes general cleaning of the duct, to be carried out **as needed**.

3.1 FABRIC DUCT CLEANING EUROCLASS B, S1 - D0






	For cleaning the duct it is obligatory to comply with the following requirements:    
---	---

To clean the duct, proceed in the following order:

1. *disassemble the duct;*
2. *carry out a washing cycle, either by hand or by machine, in accordance with the following requirements:*
 - *use neutral detergent,*
 - *temperature of 40 °C,*
 - *maximum duration of 15 min;*
3. *if necessary, rinse the duct;*
4. *if necessary, carry out a new washing cycle;*
5. *allow the duct to dry at room temperature;*
6. *reassemble the duct.*

	If you wish to request a washing service, please contact the manufacturer.
---	--

3.2 EUROCLASS A1 GLASS FIBRE DUCT CLEANING

	When cleaning the duct it is obligatory to comply with the following requirements:    
---	--

To clean the duct, proceed in the following order:

1. *disassemble the duct;*
2. *carry out a hand-wash cycle at a maximum temperature of 40 °C;*
3. *if necessary, rinse the duct;*
4. *if necessary, carry out a new wash cycle;*
5. *allow the duct to dry at room temperature;*
6. *reassemble the duct.*

Klimagiel S.r.l.

Via Mezzacampagna, 52/37

37135 Verona (VR), Italy

Tel. +39 045 916672 ext. 208

Fax. +39 045 8344222

E-mail: klimagiel@klimagiel.it

VAT/Tax number 02868700234

SDI M5UXCR1

www.klimagiel.it

