

ESTD •

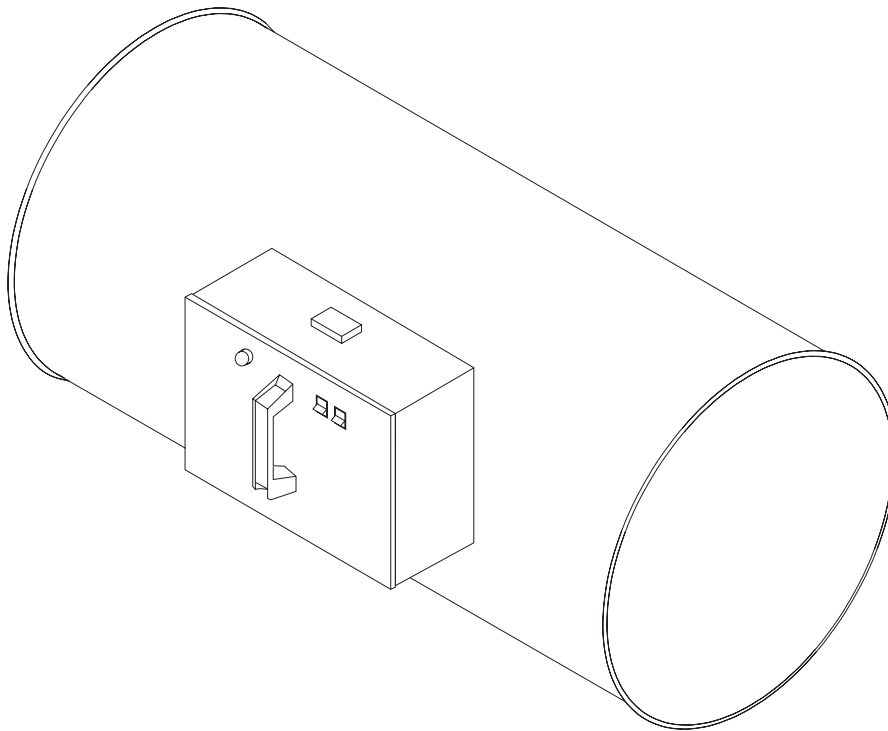


• 1989

**KLIMAGIEL®**

l'aria che ti rispetta

**KLIN-AIR**



## **Installation Instructions**

**Translation of original instructions - EN**

# 1 GENERAL INFORMATION

## 1.1 RECIPIENTS OF THE DOCUMENT AND TASKS

This Document is intended for the Technical Installer personnel who have the technical-professional requisites to carry out specialised work on the product, in compliance with the instructions contained in this Document and in accordance with the relevant safety standards.





## 1.2 USING THE SYMBOLS

To draw the attention of users to the correct and safe use of the product, the following graphic symbol is adopted in this Document:

	The symbol is used to call the attention to especially important information.
---	---

The graphic symbols listed in the following table are also adopted in this Document to represent Personal Protective Equipment (PPE).

The symbol of each device will be indicated whenever a particular operation described in this Document requires its use.

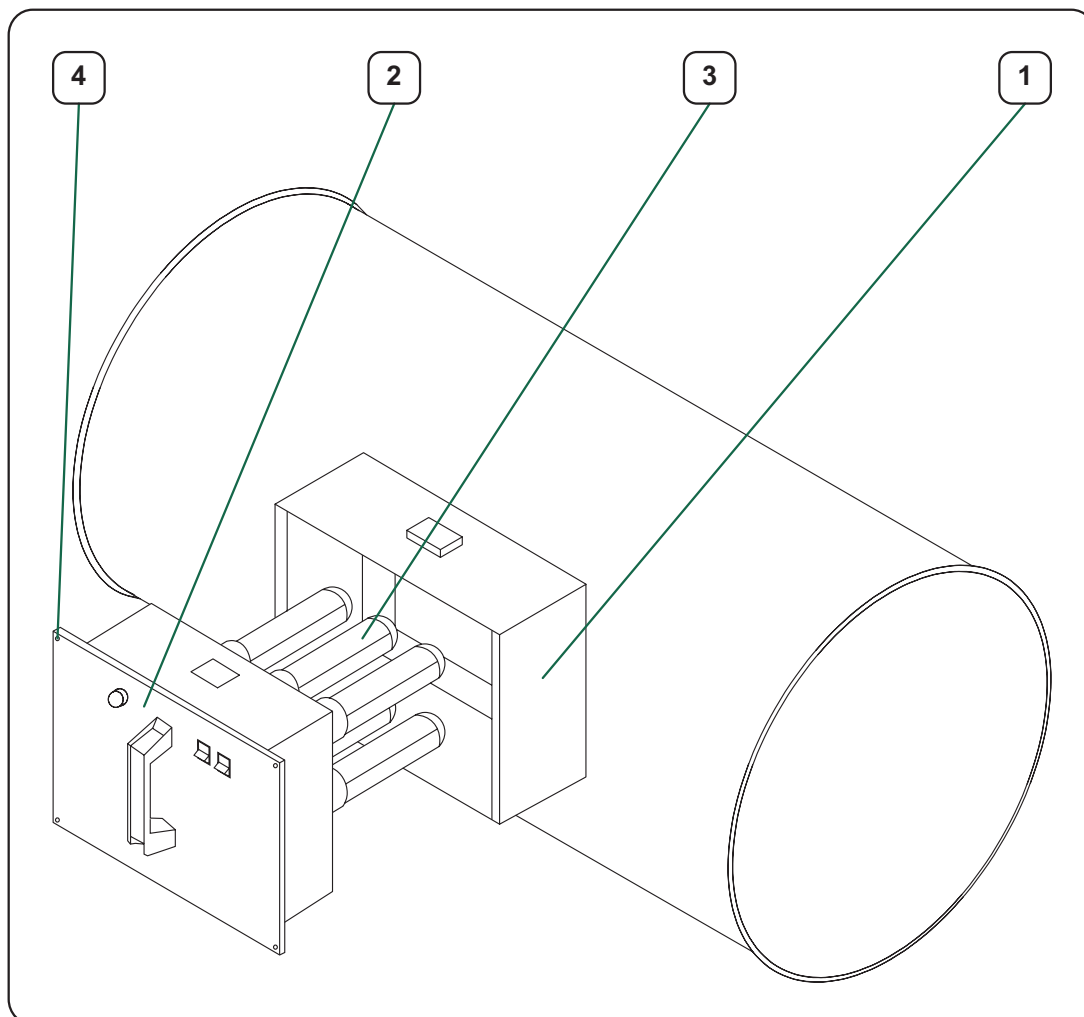
SYMBOL	MEANING
	It is mandatory to wear <b>protective gloves</b> when performing the relevant operations.
	It is mandatory to wear <b>protective shoes</b> when performing the relevant operations.
	It is mandatory to wear a <b>protective helmet</b> when performing the relevant operations.
	It is mandatory to wear a <b>protective mask</b> when performing the relevant operations.

**Tab. 1** Graphic symbols adopted for PPE

## 2 OPTIONAL INLETS

### 2.1 KLIN-AIR

The product is an air sanitising device to be installed at the inlet of the circular or oval channel. The main components of the product are described below.



REFERENCE	DESCRIPTION	CUSTOMER'S RESPONSIBILITIES
1	Fixing box.	
2	Cover, equipped with: - handle; - control panel; - connectors.	
3	Capacitors	
4	Cover fixing screws	

**Tab. 2** General description



ESTD ·

· 1989

KLIMAGIEL®

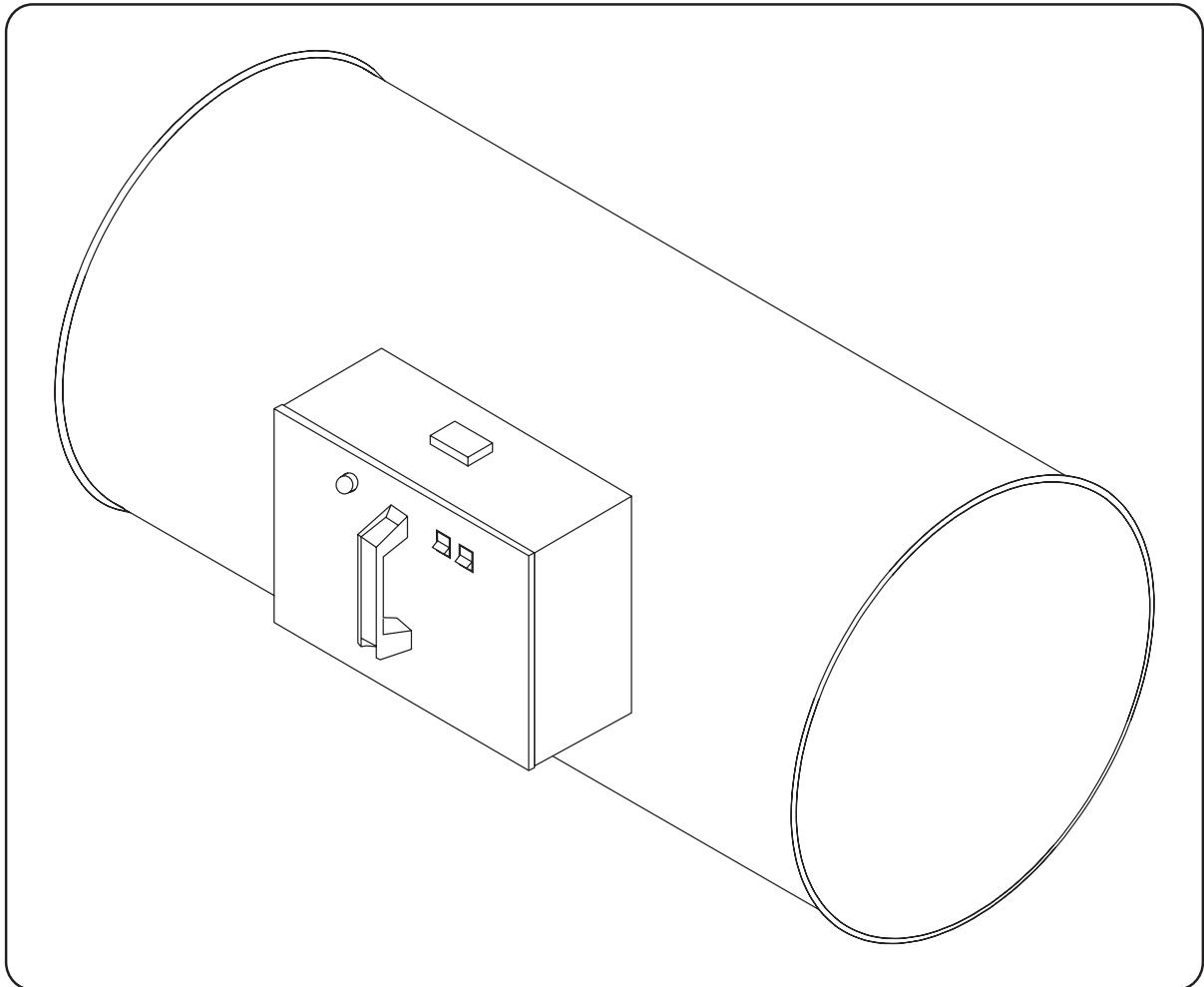
## Klin-air




The model of the device must be chosen taking into account the air flow to be sanitised.






For the installation of the device on the channel, please refer to the documentation supplied with this Document, in particular the relevant manual.



### 3 MAINTENANCE INSTRUCTIONS

 For product maintenance work **it is mandatory** to use the following PPE:

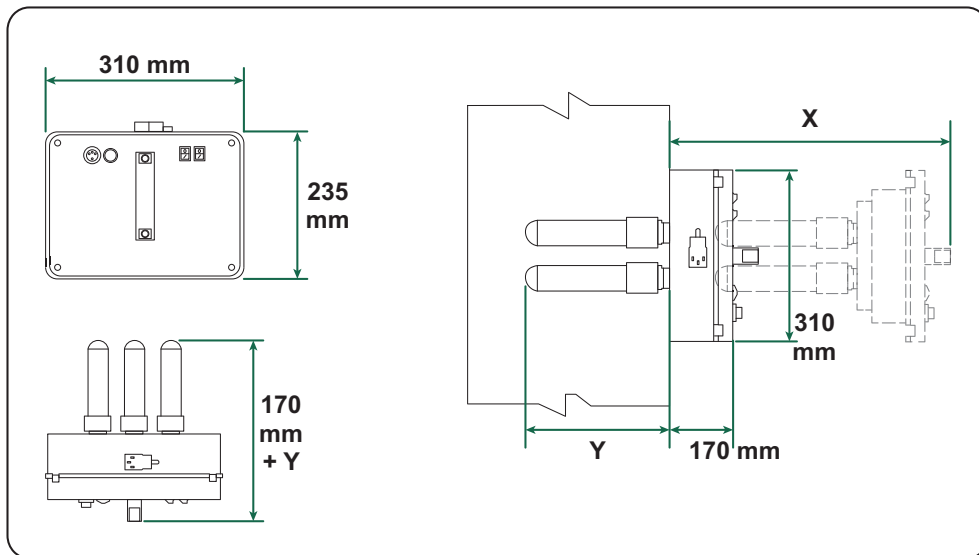
  

Maintenance includes cleaning the capacitors, to be carried out at intervals between **8,000 hours** and **14,000 hours** of operation.

#### 3.1 CLEANING CAPACITORS

##### 3.1.1 Preliminary Information

Encumbrances for maintenance activities



**Fig. 1** Encumbrances for maintenance activities

DEVICE SERIES	X (MINIMUM SPACE FOR MAINTENANCE)	Y
KLNC	470 mm	210 mm
KLNH	700 mm	440 mm

**Tab. 3** Encumbrances for maintenance activities

Specifications

FEATURE	UNIT OF MEASUREMENT	KLNC2	KLNC4	KLNC6	KLNH4	KLNH6
Net weight	kg	5.0	6.5	6.5	8	8.4
Power supply	V/Ph/Hz	230/1/ 50	230/1/ 50	230/1/ 50	230/1/ 50	230/1/ 50
Consumption	W	9	18	27	30	38

**Tab. 4** Specifications

Instructions for removing the cover

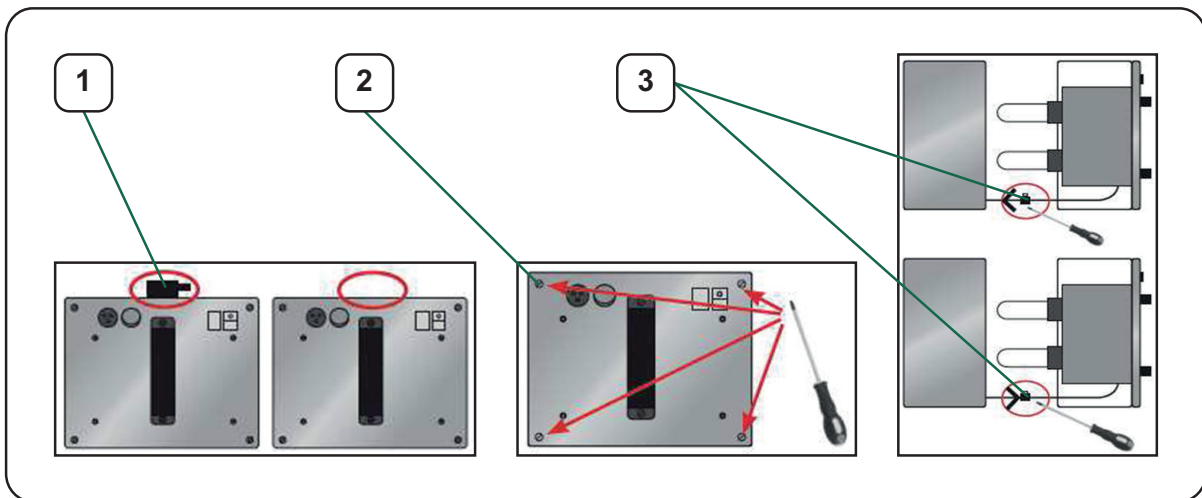
To remove the cover, perform the following steps in order:

1. de-energise the device;
2. Disconnect the power supply socket **(1)** on the upper part of the device;
3. support the cover by means of the handle;
4. unscrew, using a screwdriver, the perimeter screws **(2)**;
5. pull the cover slightly away from the fixing box;
6. unscrew, using a screwdriver, the terminal screw **(3)** to disconnect the yellow-green cable;
7. pull the cover completely off the fixing box;
8. carry out the planned maintenance operations;
9. bring the cover closer to the fixing box;
10. reconnect the yellow-green cable to the terminal **(3)**;
11. screw, using a screwdriver, the terminal screw **(3)**;
12. replace the cover on the fixing box;



**Caution:** accompany the yellow-green cable so as not to crush it between the fixing box and the cover.

13. use a screwdriver to tighten the perimeter screws **(2)**;
14. release the handle;
15. insert the power socket **(1)** on the top of the device.



**3.1.2 Capacitor cleaning instructions**



For capacitor cleaning instructions, please refer to the documentation supplied with this document, in particular the air sanitising device manual.

**Klimagiel S.r.l.**

Via Mezzacampagna, 52/37

37135 Verona (VR), Italy

Tel. +39 045 916672 ext. 208

Fax. +39 045 8344222

E-mail: [klimagiel@klimagiel.it](mailto:klimagiel@klimagiel.it)

VAT/Tax number 02868700234

SDI M5UXCR1

[www.klimagiel.it](http://www.klimagiel.it)

