

ESTD •

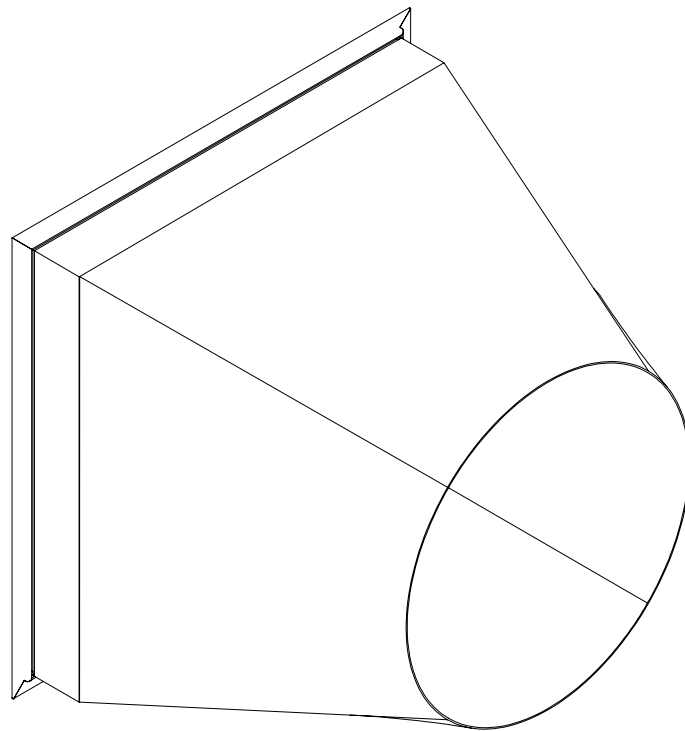


• 1989

KLIMAGIEL®

l'aria che ti rispetta

SQUARE-CIRCLE FITTING



Installation Instructions

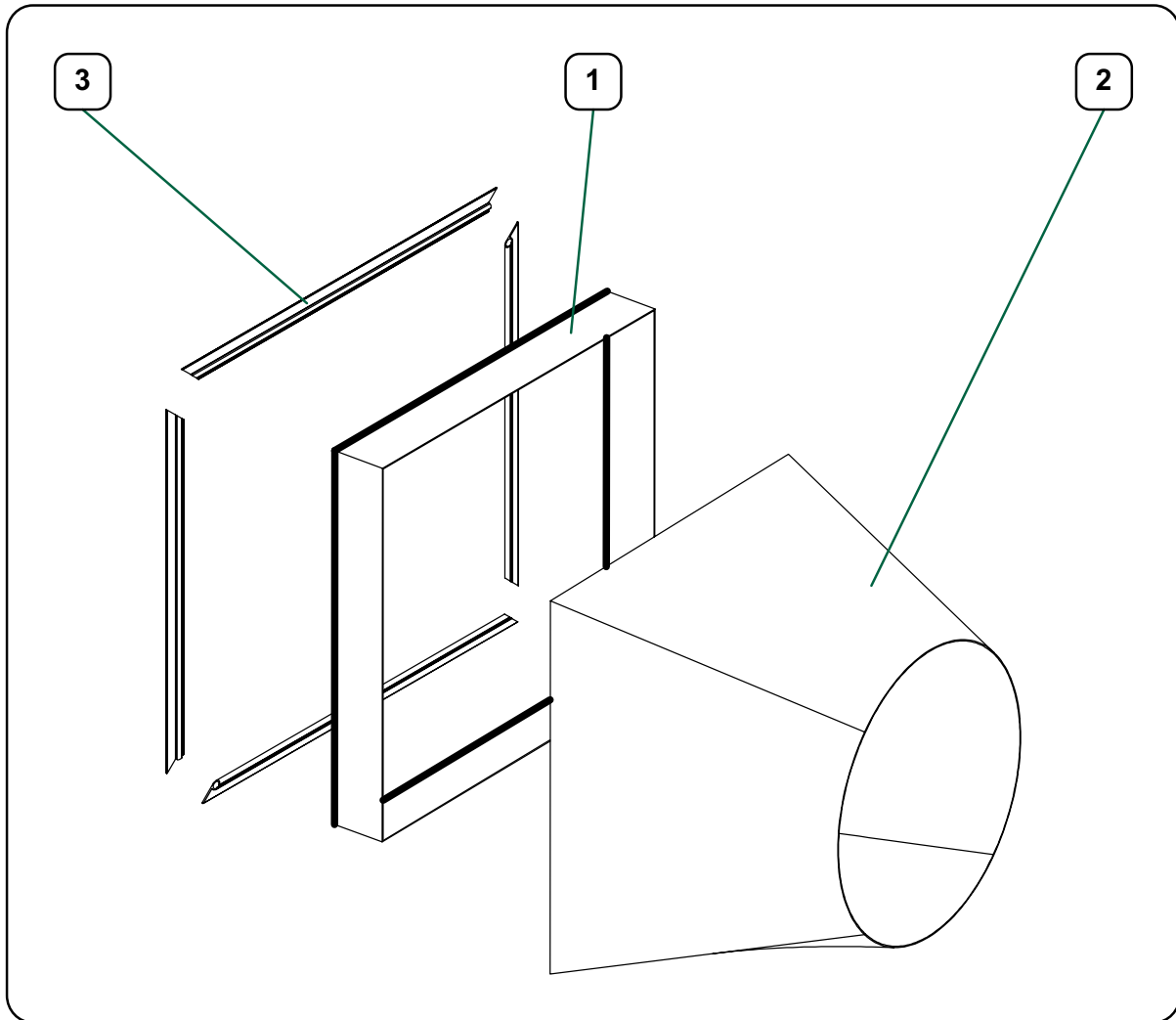
Translation of original instructions - EN

1 OPTIONAL INLETS

1.1 SQUARE-CIRCLE FITTING

The product is a connection between the square (or rectangular) outlet of the machine and the circular fabric duct.

The main components of the product are described below.



REFERENCE	DESCRIPTION	CUSTOMER'S RESPONSIBILITIES
1	Inlet	
2	Fitting	
3	Profiles	

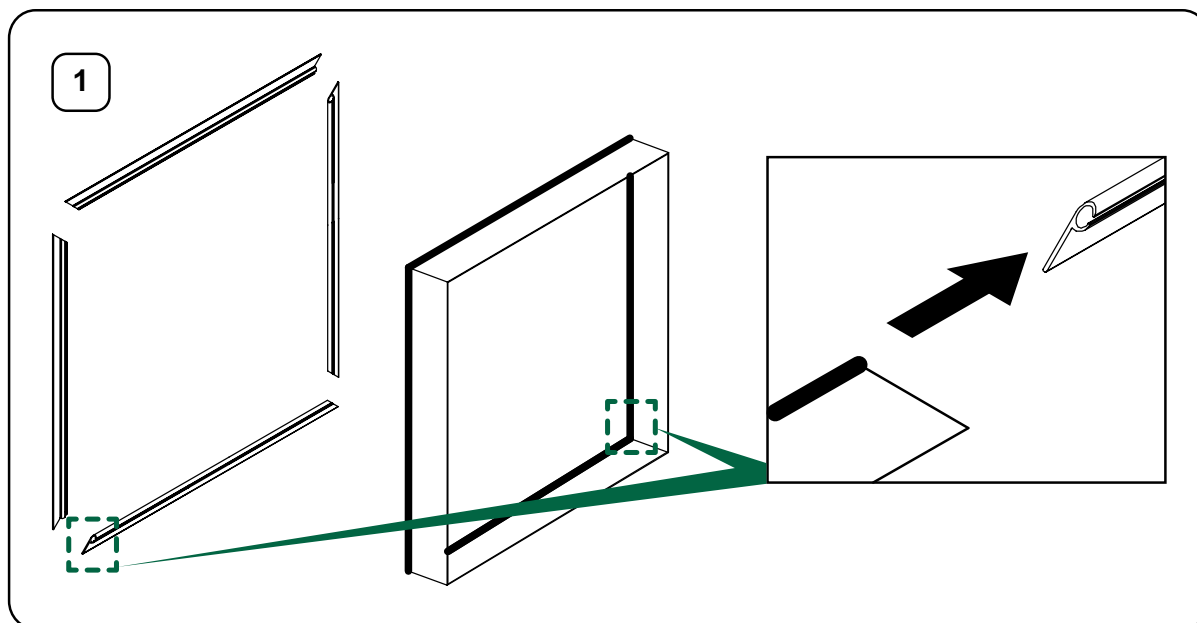
Tab. 1 General description

Installation instructions

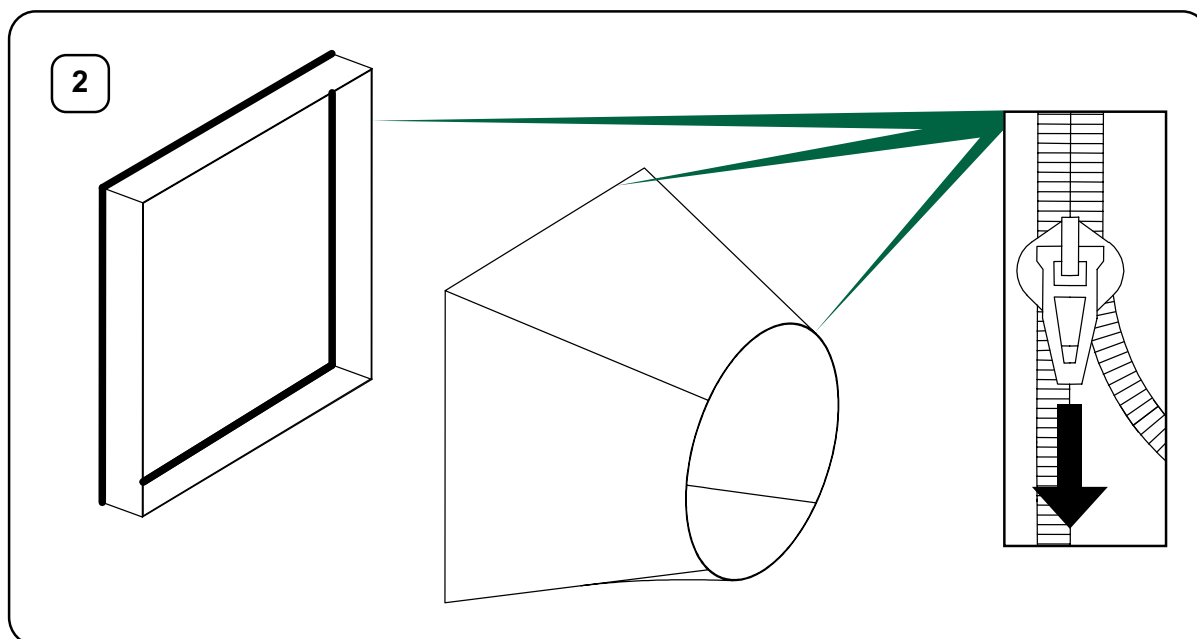


Cut profiles:

- with a length equal to the dimensions of the machine outlet;
- with a 45° angle of inclination.



The installation of the profiles on the machine is the responsibility of an **Installer Technician**, who must take into account the characteristics of the machine and/or the specific installation requirements of the duct.



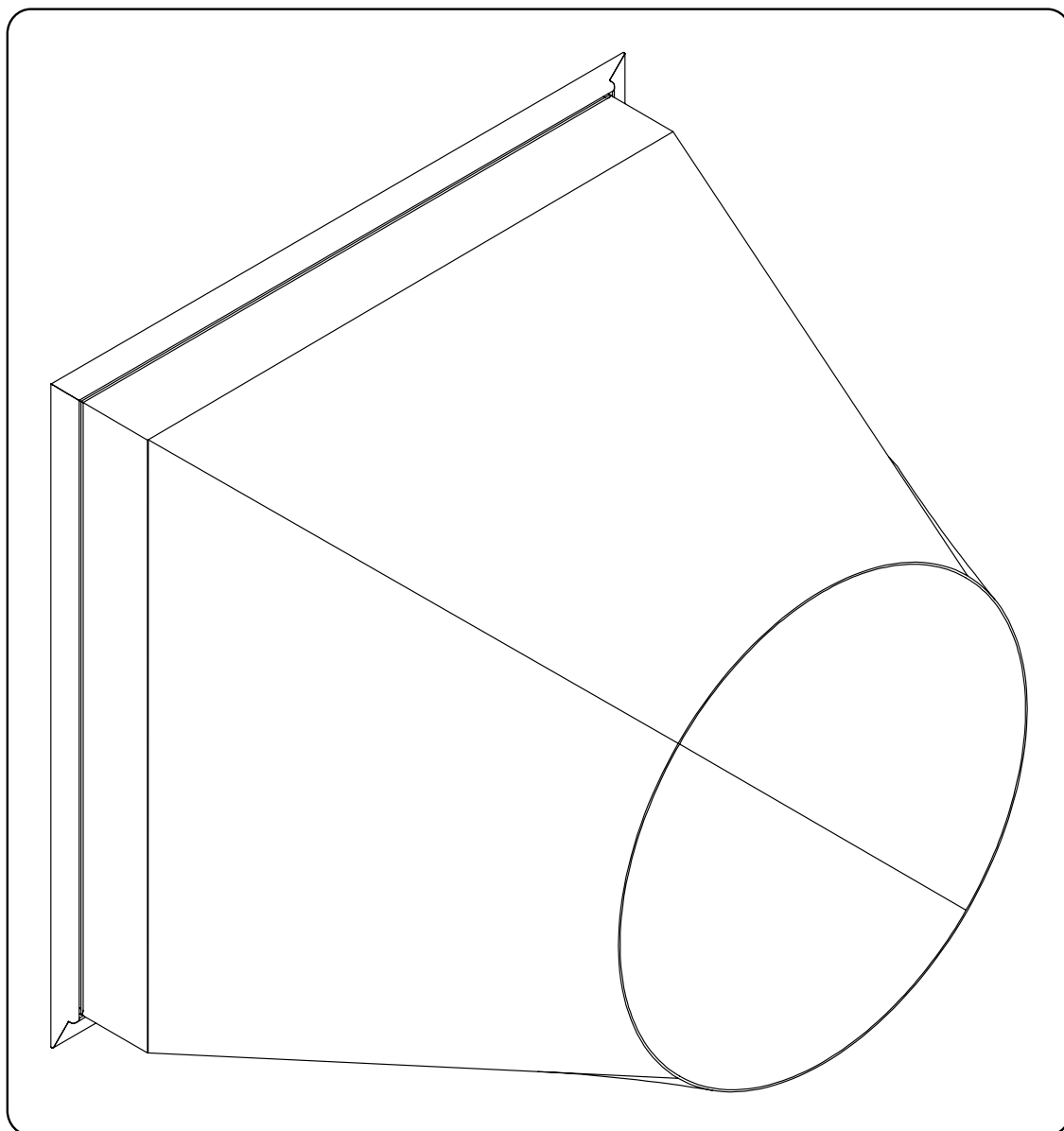


ESTD ·

· 1989

KLIMAGIEL®

Square-circle fitting



Klimagiel S.r.l.

Via Mezzacampagna, 52/37
37135 Verona (VR), Italy
Tel. +39 045 916672 ext. 208
Fax. +39 045 8344222
E-mail: klimagiel@klimagiel.it
P.Iva/C.f. 02868700234
SDI M5UXCR1
www.klimagiel.it

