

ESTD •

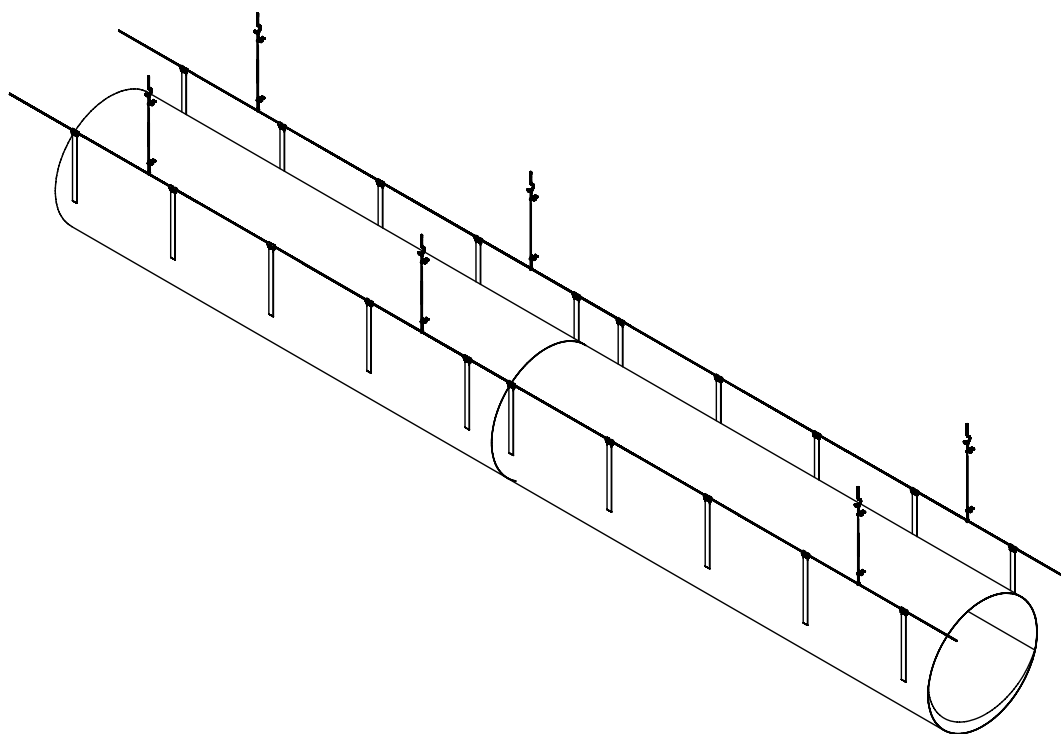


• 1989

**KLIMAGIEL®**

l'aria che ti rispetta

# **CIRCULAR TWO-HANGER FABRIC DUCT WITH MEMBRANE**



## **Installation Instructions**

**Translation of original instructions - EN**


# 1 GENERAL INFORMATION

## 1.1 RECIPIENTS OF THE DOCUMENT AND TASKS

This Document is intended for the Technical Installer personnel who have the technical-professional requisites to carry out specialised work on the product, in compliance with the instructions contained in this Document and in accordance with the relevant safety standards.





## 1.2 USING THE SYMBOLS

To draw the attention of users to the correct and safe use of the product, the following graphic symbol is adopted in this Document:

	The symbol is used to call the attention to especially important information.
---	---

The graphic symbols listed in the following table are also adopted in this Document to represent Personal Protective Equipment (PPE).

The symbol of each device will be indicated whenever a particular operation described in this Document requires its use.

SYMBOL	MEANING
	It is mandatory to wear <b>protective gloves</b> when performing the relevant operations.
	It is mandatory to wear <b>protective shoes</b> when performing the relevant operations.
	It is mandatory to wear a <b>protective helmet</b> when performing the relevant operations.
	It is mandatory to wear a <b>protective mask</b> when performing the relevant operations.

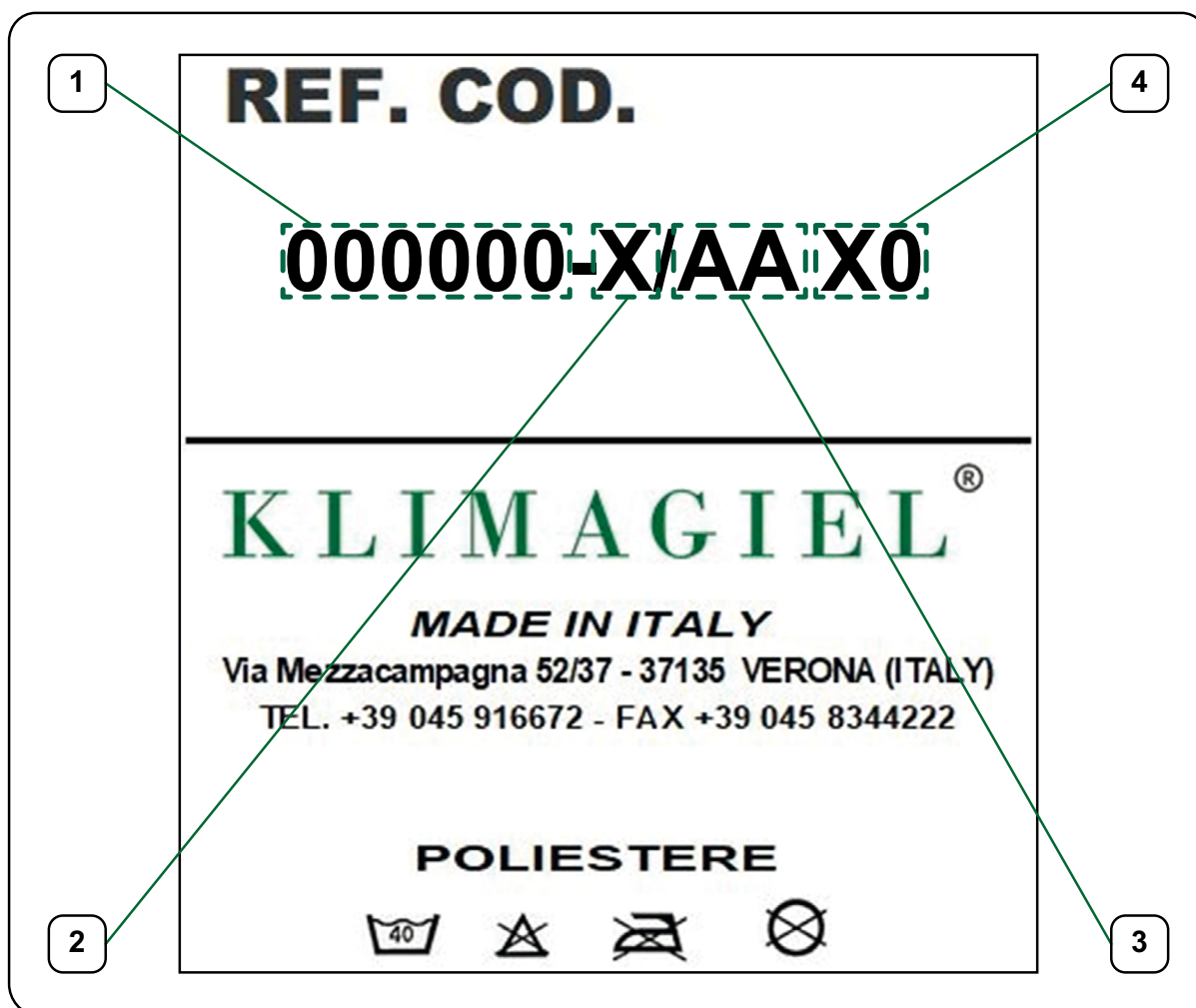
**Tab. 1** Graphic symbols adopted for PPE

### 1.3 PRODUCT IDENTIFICATION DATA

Each main component of the product is identified by an identification code described below. Sequential identification codes provide an indication of the assembly sequence.

#### 1.3.1 Fabric product identification code

The identification code of the fabric product can be found on the label sewn inside the main components of the product.



**Fig. 1** Fabric product identification code

REFERENCE	DESCRIPTION
<b>1</b>	Job number
<b>2</b>	Product installation country code
<b>3</b>	Year of product construction
<b>4</b>	Product component identification code (refer to the documentation provided with this Document, in particular the technical drawings)

**Tab. 2** Fabric product identification code



ESTD ·

· 1989

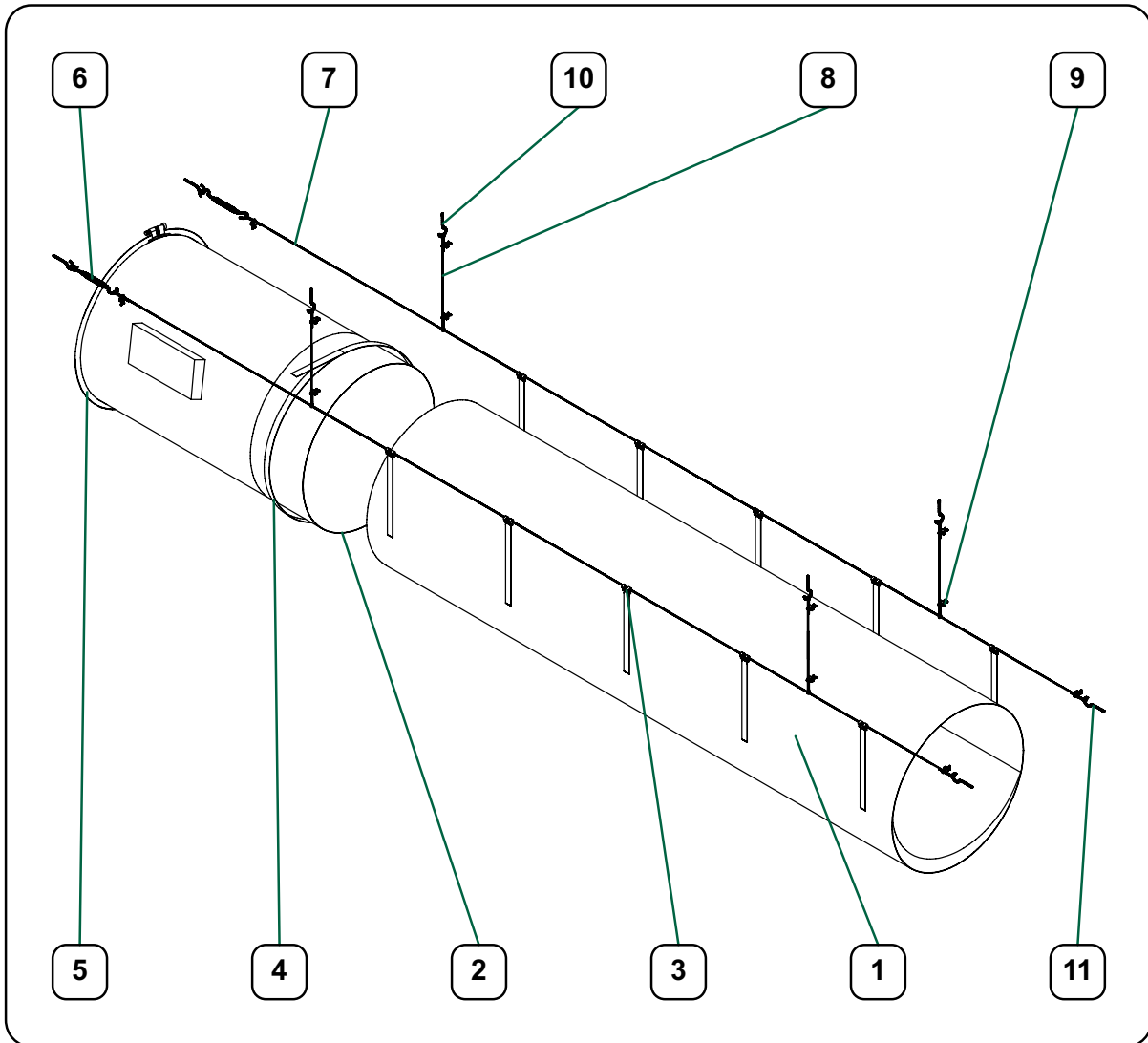
KLIMAGIEL®

## Circular two-hanger fabric duct with membrane

# 2 CIRCULAR TWO-HANGER FABRIC DUCT WITH MEMBRANE

## 2.1 GENERAL DESCRIPTION

The product is a circular two-hanger fabric duct with membrane.  
The main components of the product are described below.



REFERENCE	DESCRIPTION	CUSTOMER'S RESPONSIBILITIES
<b>1</b>	Duct, equipped with membrane, consisting of: - intermediate sections; - initial metal section, with servomotor and arch; - initial section; - end cover.	
<b>2</b>	Hinges	
<b>3</b>	Hangers	
<b>4</b>	Metal band	
<b>5</b>	Joint collar	
<b>6</b>	Cable tensioners	
<b>7</b>	Cables	
<b>8</b>	Small cables	
<b>9</b>	Clamps	
<b>10</b>	Ceiling hooks	X
<b>11</b>	Wall hooks	X

**Tab. 3** General description



ESTD ·

· 1989

KLIMAGIEL®

## Circular two-hanger fabric duct with membrane

### 2.2 INSTALLATION INSTRUCTIONS



A standard tool kit must be prepared for installation operations.  
The following PPE must be used for installation operations **it is mandatory**:

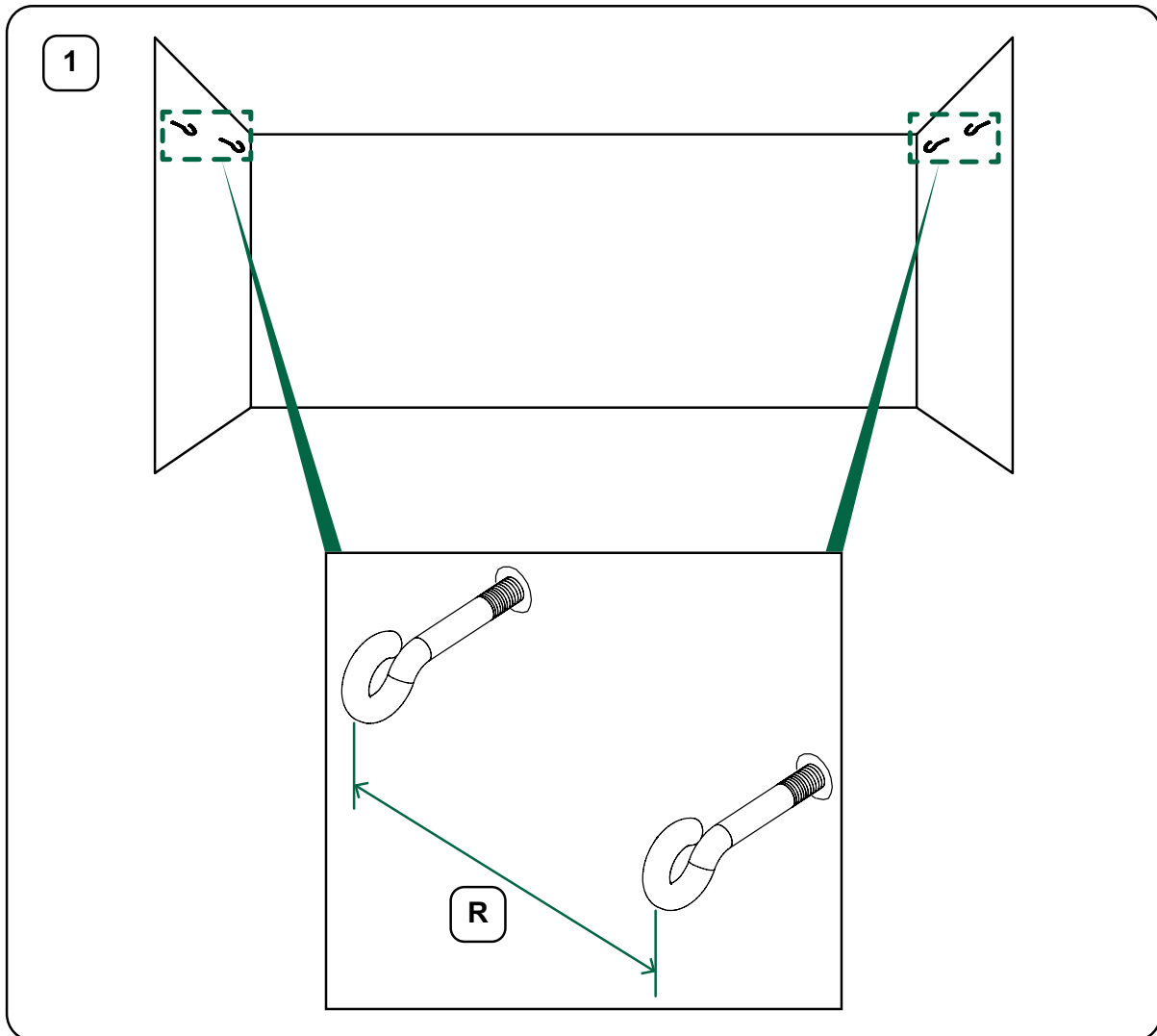


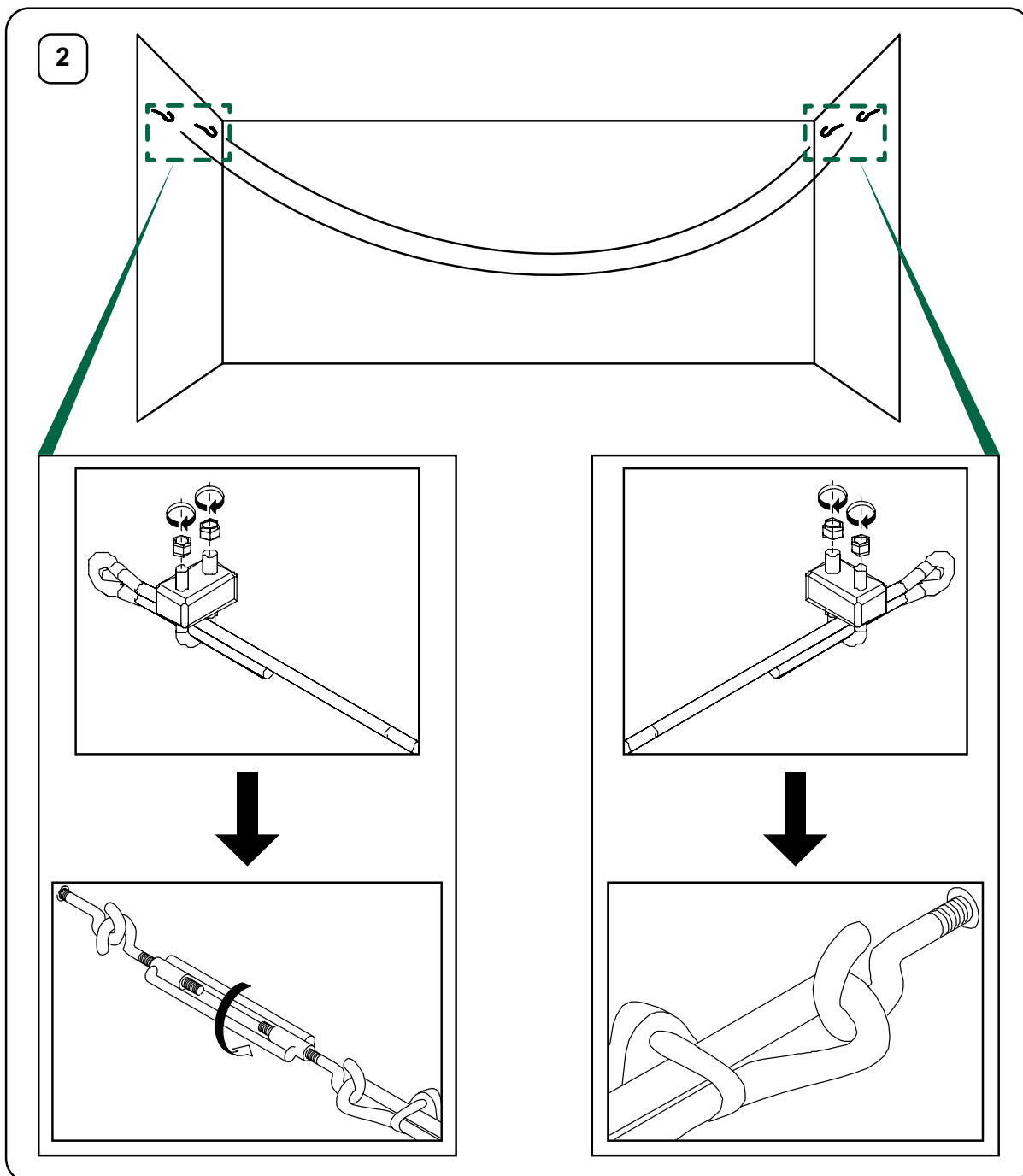
Below are instructions for installing the duct with cable brackets. However, the following instructions are also generally valid for duct installation with profile brackets.



Install wall hooks 40 mm higher than the top edge of the duct, unless specific contractual conditions apply.

Install wall hooks with centre distance (**R**) referring to the documentation provided with this Document, in particular the construction drawings.







ESTD ·

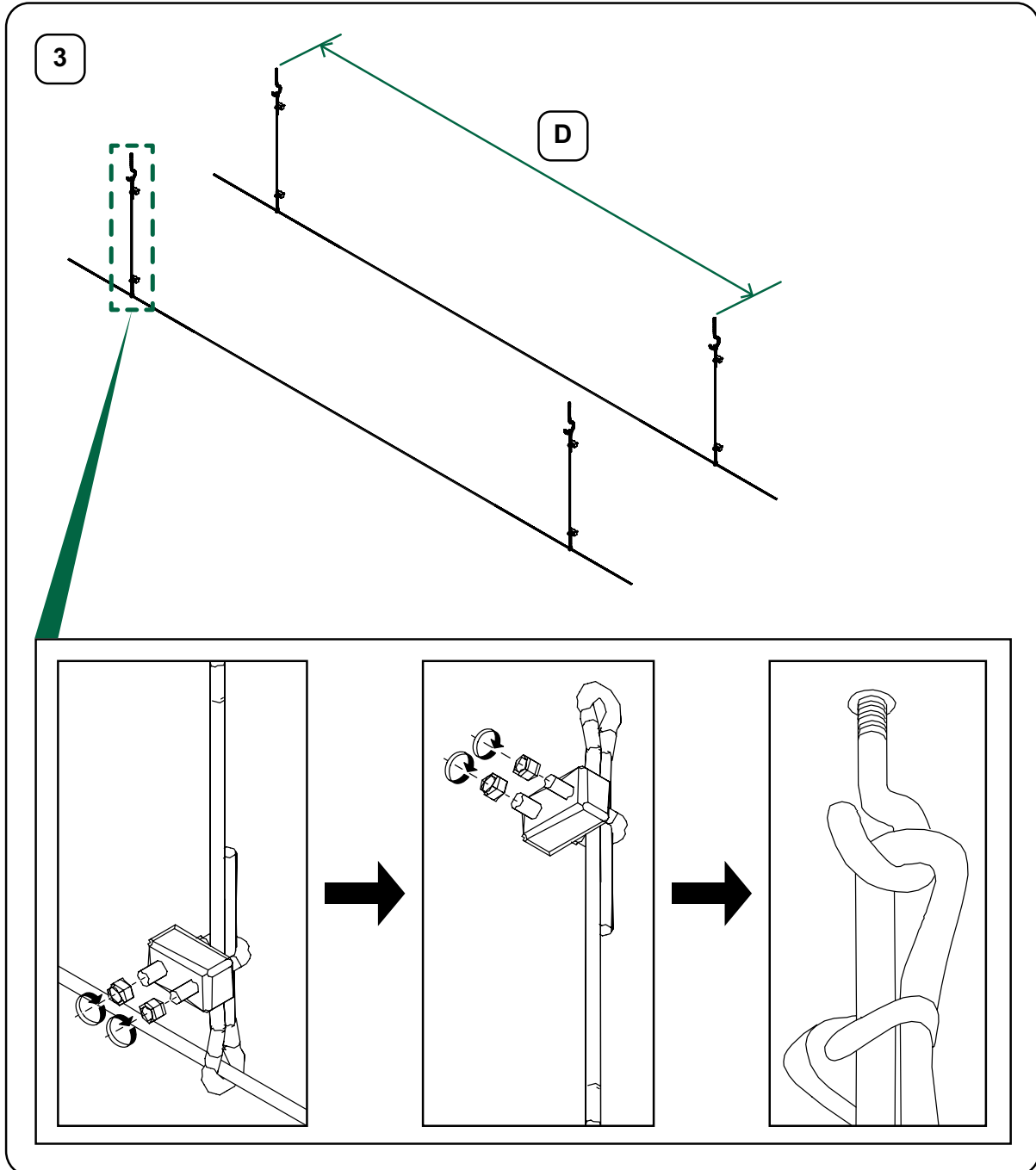
· 1989

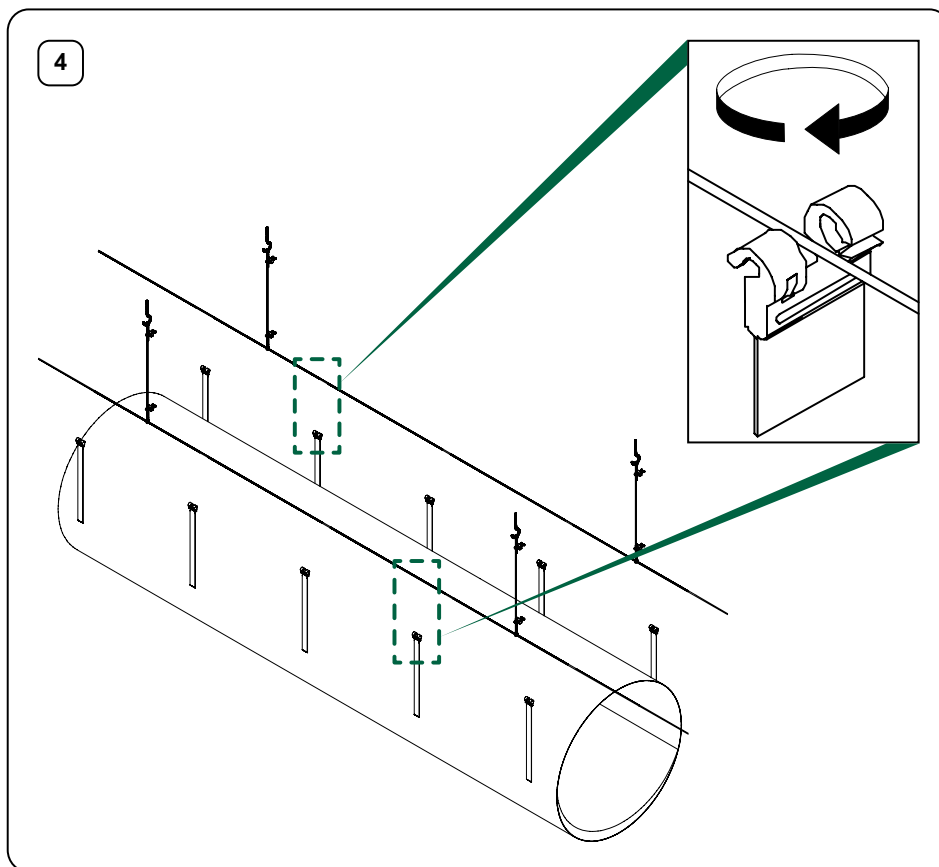
KLIMAGIEL®

## Circular two-hanger fabric duct with membrane

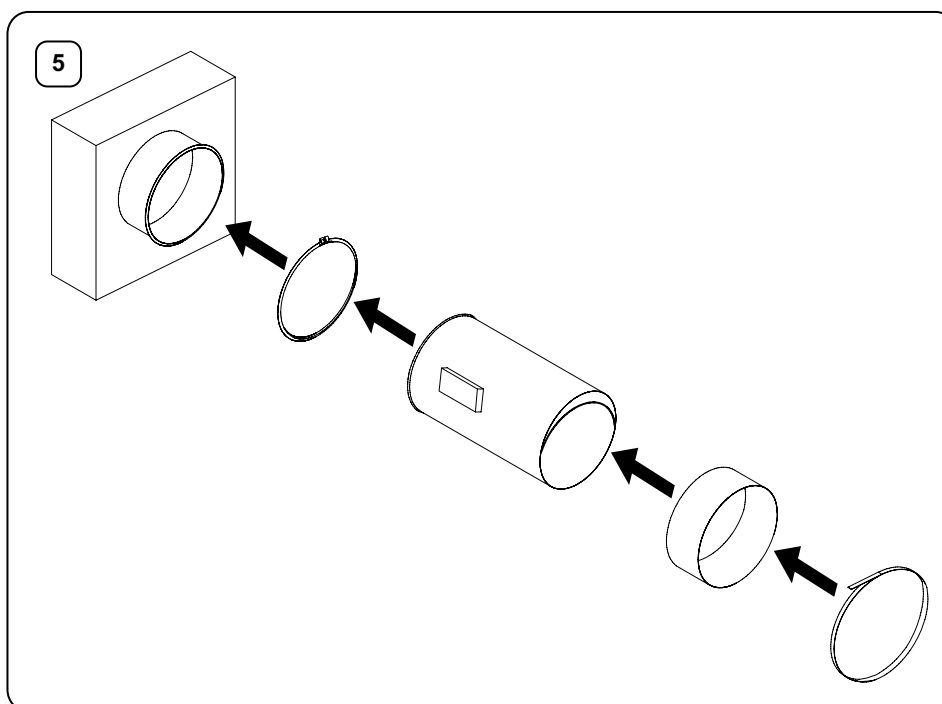


Install cross-pieces with a recommended centre distance (**D**) of 5 m.





Make a 7 mm profile on the inlet.



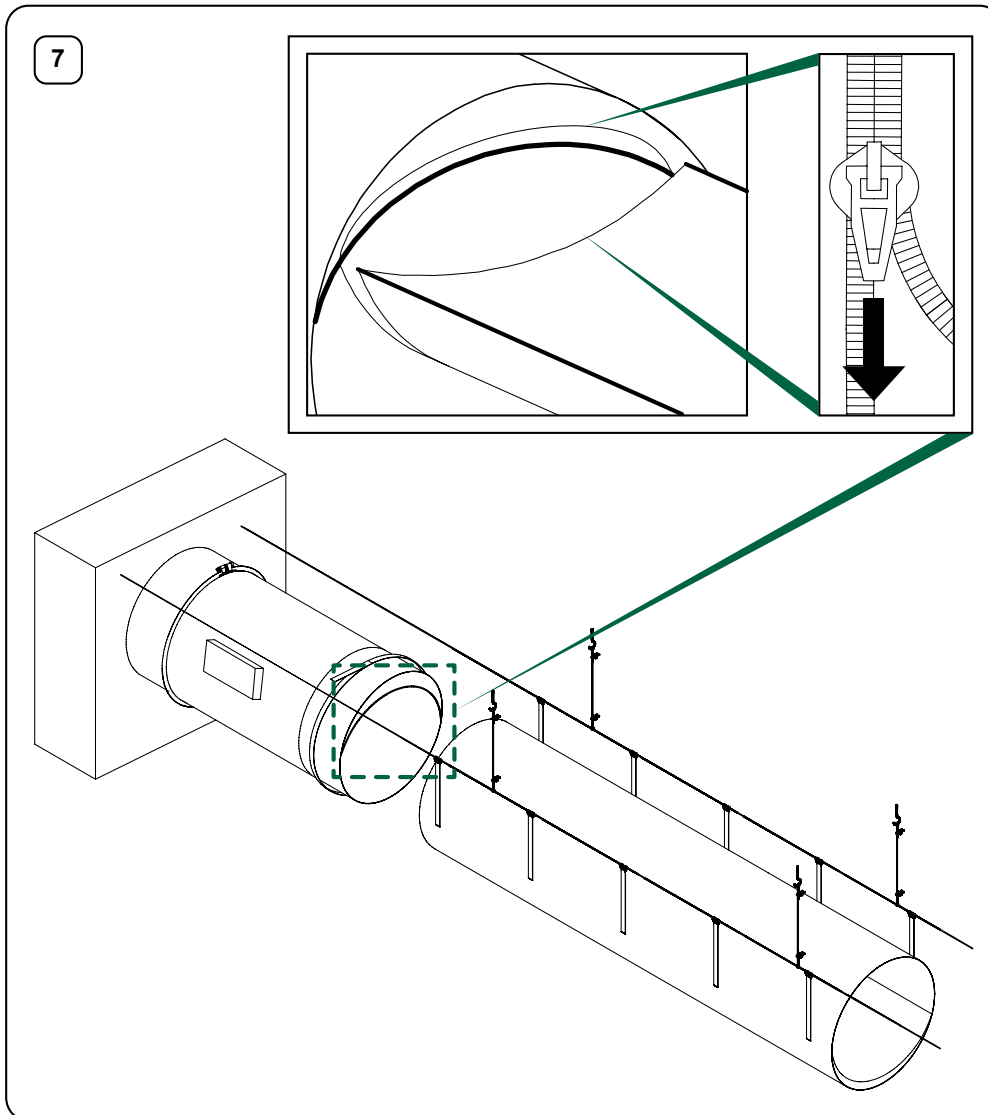
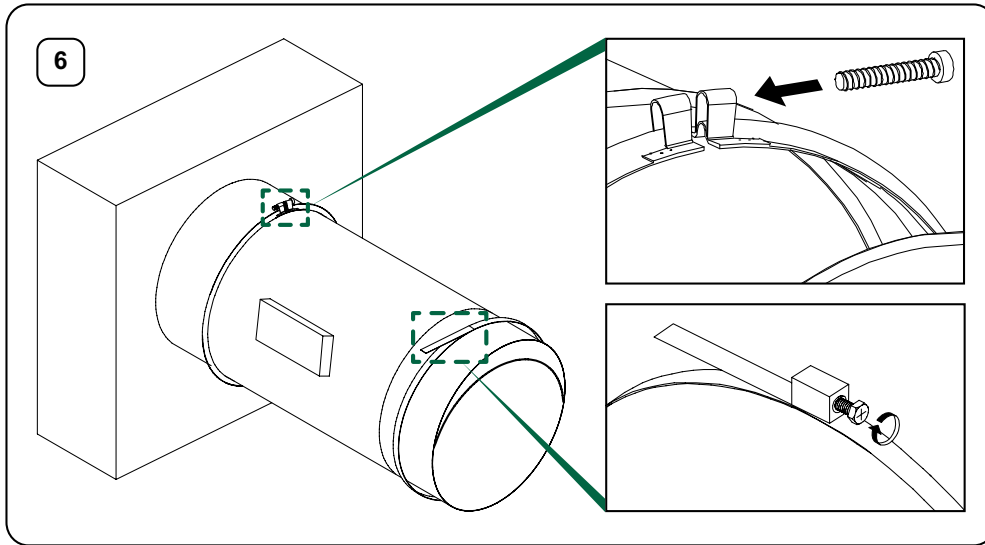


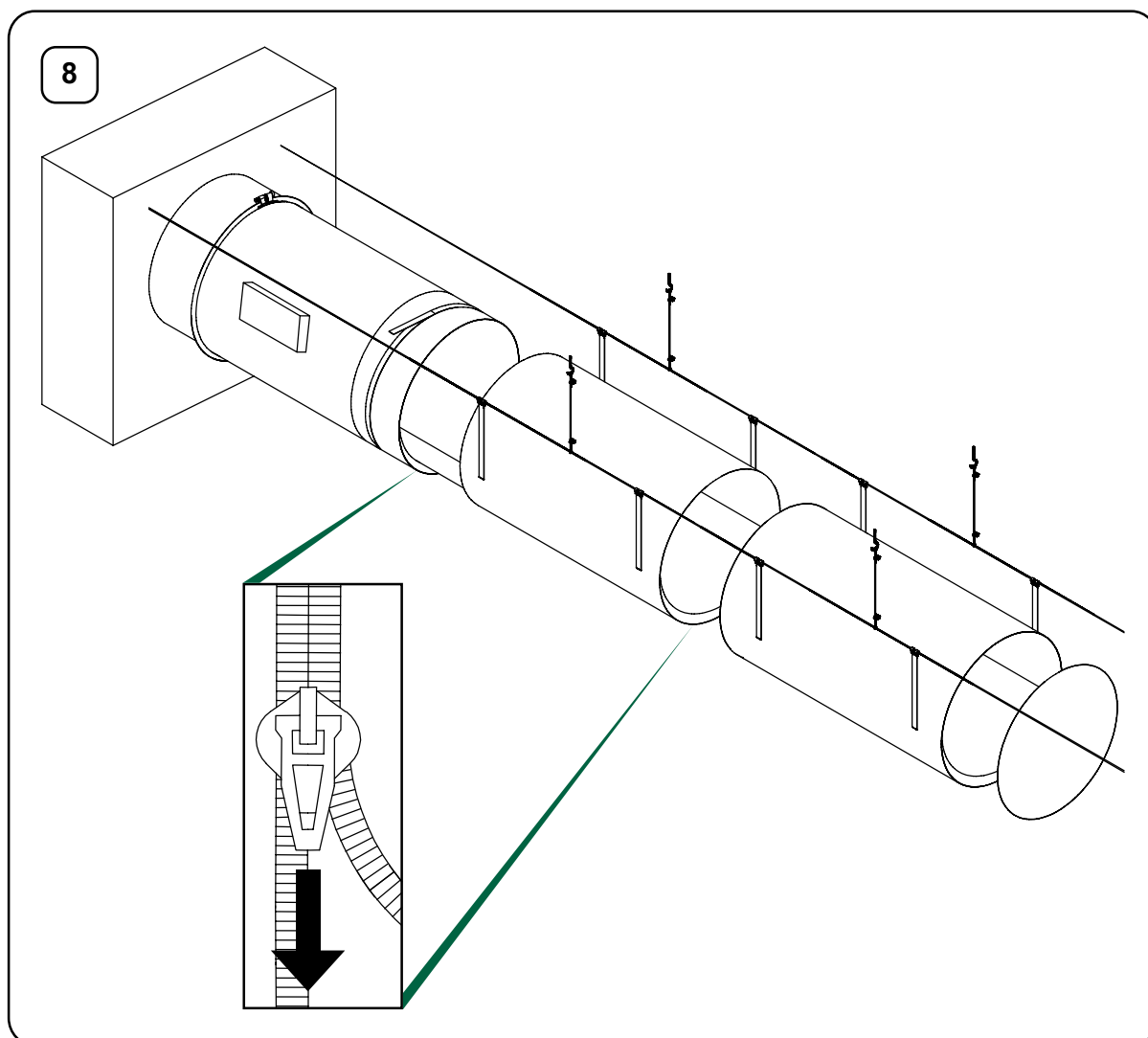
ESTD ·

1989

KLIMAGIEL®





## Circular two-hanger fabric duct with membrane










**Caution:** connect the servomotor to the mains supply by referring to the documentation provided with this document, in particular the relevant manual.

### 3 MAINTENANCE INSTRUCTIONS

	For machine maintenance work <b>it is mandatory</b> to use the following PPE:   
---	--


Maintenance includes general cleaning of the duct, to be carried out **as needed**.

#### 3.1 FABRIC DUCT CLEANING EUROCLASS B, S1 - D0






	For cleaning the duct <b>it is obligatory</b> to comply with the following requirements:    
---	---

To clean the duct, proceed in the following order:

1. *disassemble the duct;*
2. *carry out a washing cycle, either by hand or by machine, in accordance with the following requirements:*
  - *use neutral detergent,*
  - *temperature of 40 °C,*
  - *maximum duration of 15 min;*
3. *if necessary, rinse the duct;*
4. *if necessary, carry out a new washing cycle;*
5. *allow the duct to dry at room temperature;*
6. *reassemble the duct.*

	If you wish to request a washing service, please contact the manufacturer.
---	--

#### 3.2 EUROCLASS A1 GLASS FIBRE DUCT CLEANING

	When cleaning the duct <b>it is obligatory</b> to comply with the following requirements:    
---	--

To clean the duct, proceed in the following order:

1. *disassemble the duct;*
2. *carry out a hand-wash cycle at a maximum temperature of 40 °C;*
3. *if necessary, rinse the duct;*
4. *if necessary, carry out a new wash cycle;*
5. *allow the duct to dry at room temperature;*
6. *reassemble the duct.*

**Klimagiel S.r.l.**

Via Mezzacampagna, 52/37

37135 Verona (VR), Italy

Tel. +39 045 916672 ext. 208

Fax. +39 045 8344222

E-mail: [klimagiel@klimagiel.it](mailto:klimagiel@klimagiel.it)

VAT/Tax number 02868700234

SDI M5UXCR1

[www.klimagiel.it](http://www.klimagiel.it)

