

ESTD •

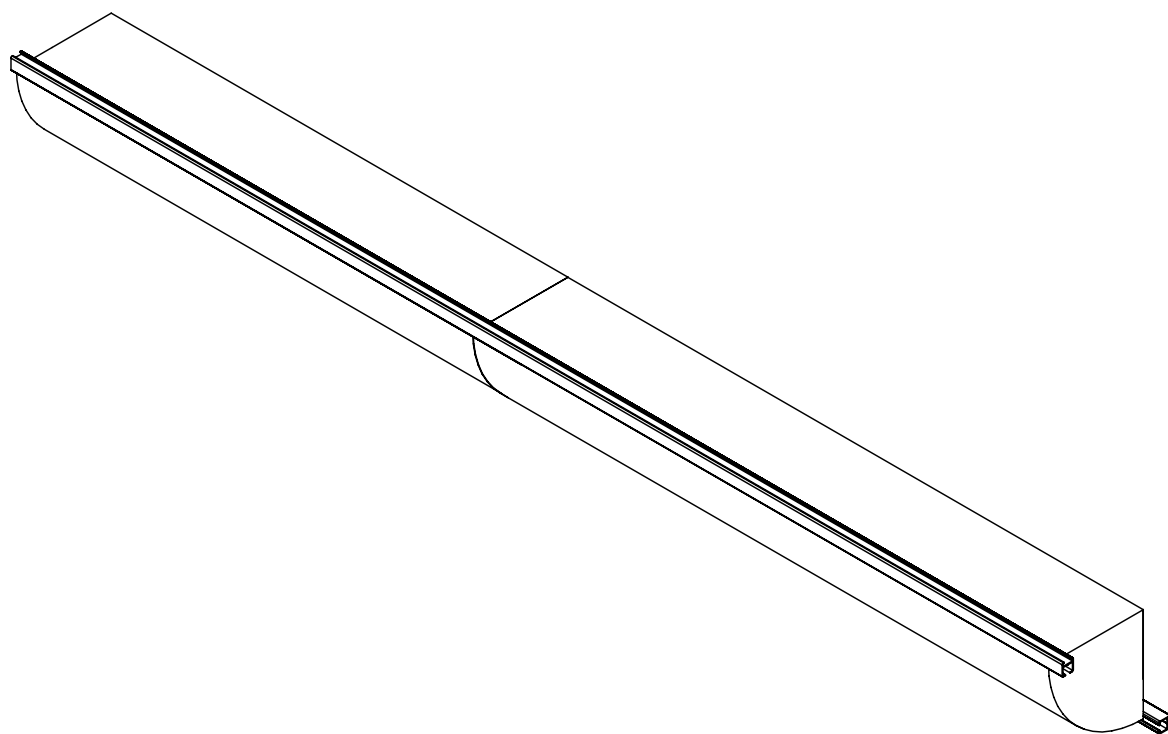


• 1989

**KLIMAGIEL®**

l'aria che ti rispetta

## **QUARTER CIRCLE FABRIC DUCT WITH PROFILES**



### **Installation Instructions**

**Translation of original instructions - EN**


# 1 GENERAL INFORMATION

## 1.1 RECIPIENTS OF THE DOCUMENT AND TASKS

This Document is intended for the Technical Installer personnel who have the technical-professional requisites to carry out specialised work on the product, in compliance with the instructions contained in this Document and in accordance with the relevant safety standards.





## 1.2 USING THE SYMBOLS

To draw the attention of users to the correct and safe use of the product, the following graphic symbol is adopted in this Document:

	The symbol is used to call the attention to especially important information.
---	---

The graphic symbols listed in the following table are also adopted in this Document to represent Personal Protective Equipment (PPE).

The symbol of each device will be indicated whenever a particular operation described in this Document requires its use.

SYMBOL	MEANING
	It is mandatory to wear <b>protective gloves</b> when performing the relevant operations.
	It is mandatory to wear <b>protective shoes</b> when performing the relevant operations.
	It is mandatory to wear a <b>protective helmet</b> when performing the relevant operations.
	It is mandatory to wear a <b>protective mask</b> when performing the relevant operations.

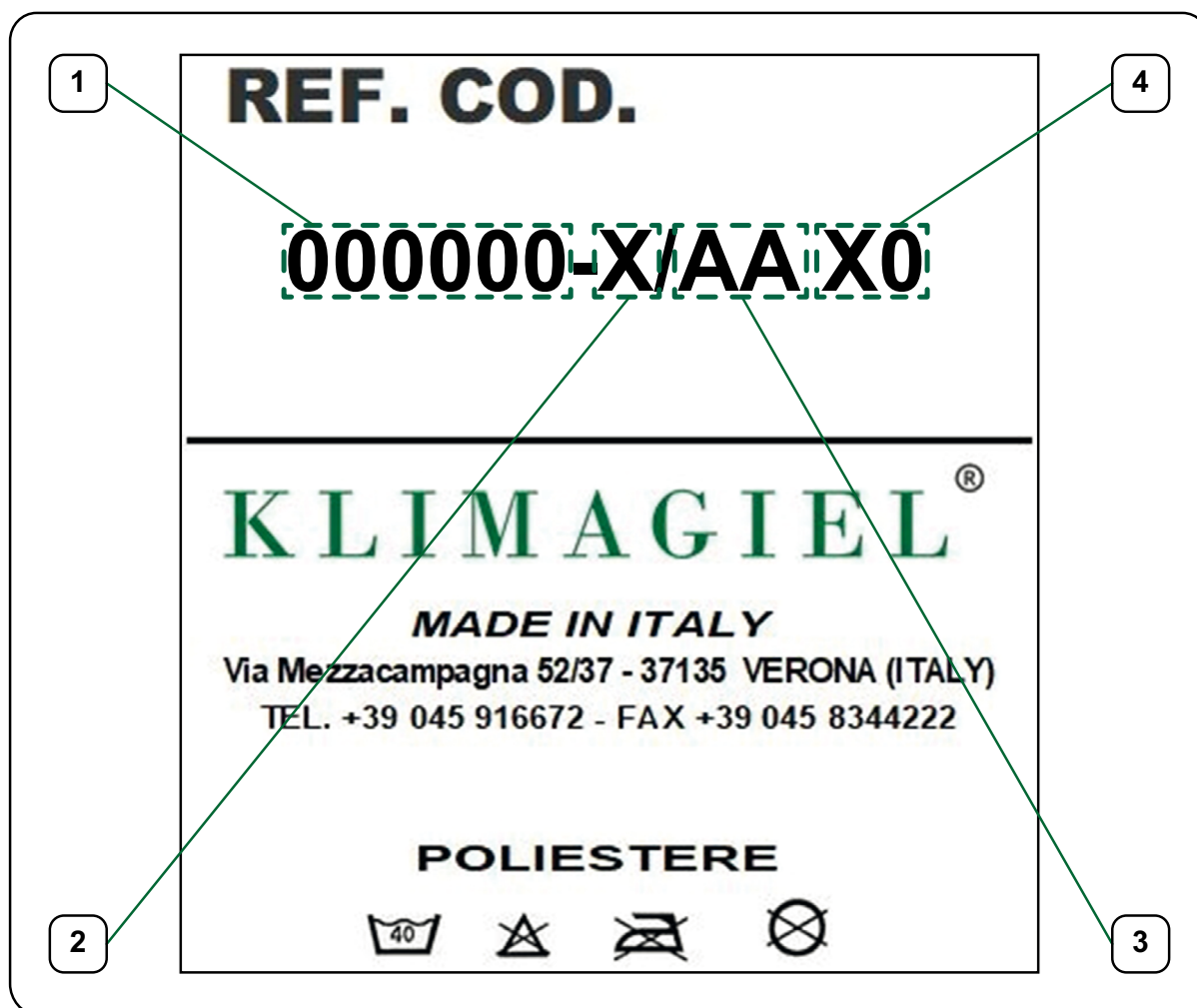
**Tab. 1** Graphic symbols adopted for PPE

### 1.3 PRODUCT IDENTIFICATION DATA

Each main component of the product is identified by an identification code described below. Sequential identification codes provide an indication of the assembly sequence.

#### 1.3.1 Fabric product identification code

The identification code of the fabric product can be found on the label sewn inside the main components of the product.



**Fig. 1** Fabric product identification code

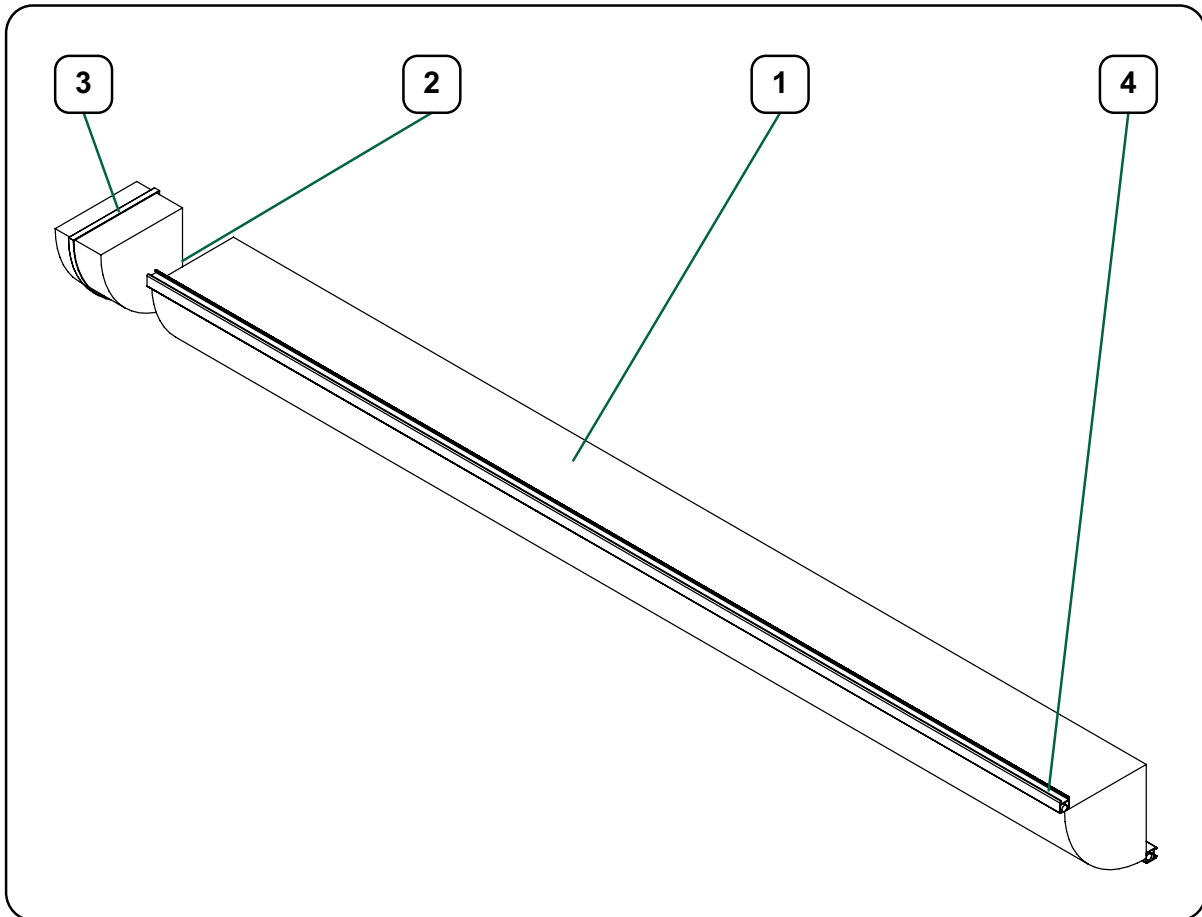
REFERENCE	DESCRIPTION
1	Job number
2	Product installation country code
3	Year of product construction
4	Product component identification code (refer to the documentation provided with this Document, in particular the technical drawings)

**Tab. 2** Fabric product identification code

## 2 QUARTER CIRCLE FABRIC DUCT WITH PROFILES

### 2.1 GENERAL DESCRIPTION

The product is a quarter circle fabric duct with profiles.  
The main components of the product are described below.



REFERENCE	DESCRIPTION	CUSTOMER'S RESPONSIBILITIES
1	Duct, consisting of: - intermediate sections; - initial section; - end cover.	
2	Hinges	
3	Metal band	
4	Profiles	
/	Dowels	X

**Tab. 3** General description

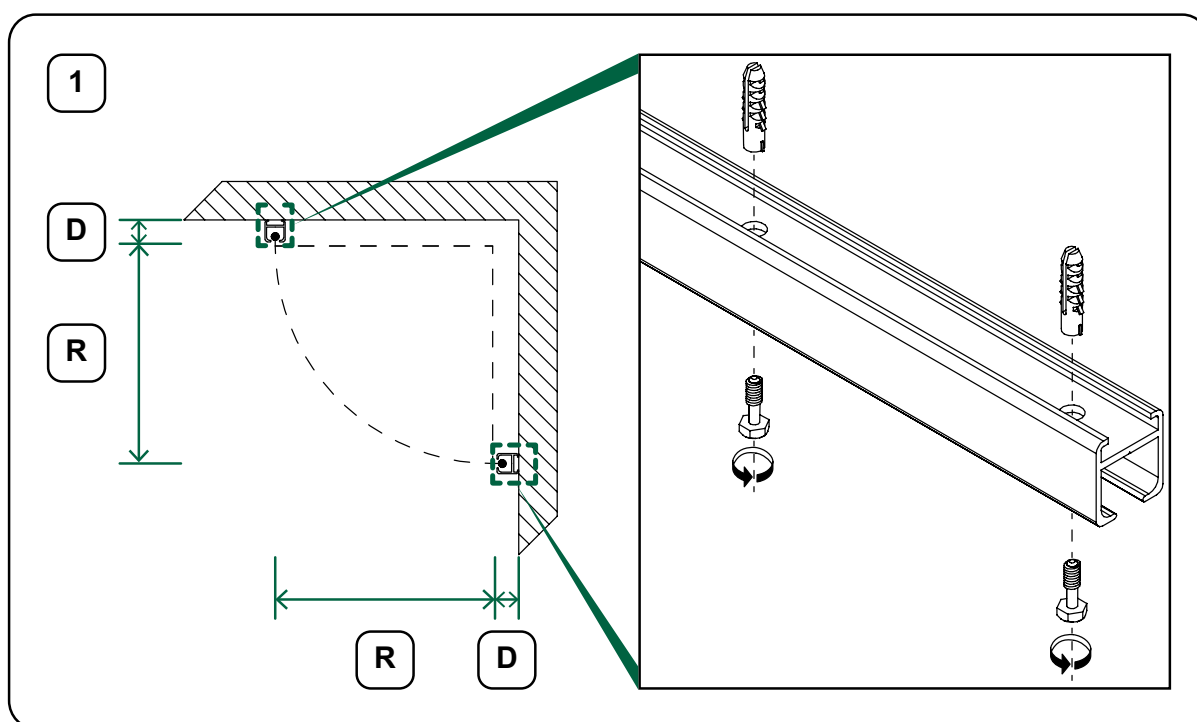
## 2.2 INSTALLATION INSTRUCTIONS



A standard tool kit must be prepared for installation operations.  
The following PPE must be used for installation operations **it is mandatory**:



Install each profile at a distance from its perpendicular wall equal to the sum of:  
- profile dimension (**D**);  
- duct radius (**R**).  
Refer to the documentation provided with this Document for the duct radius.



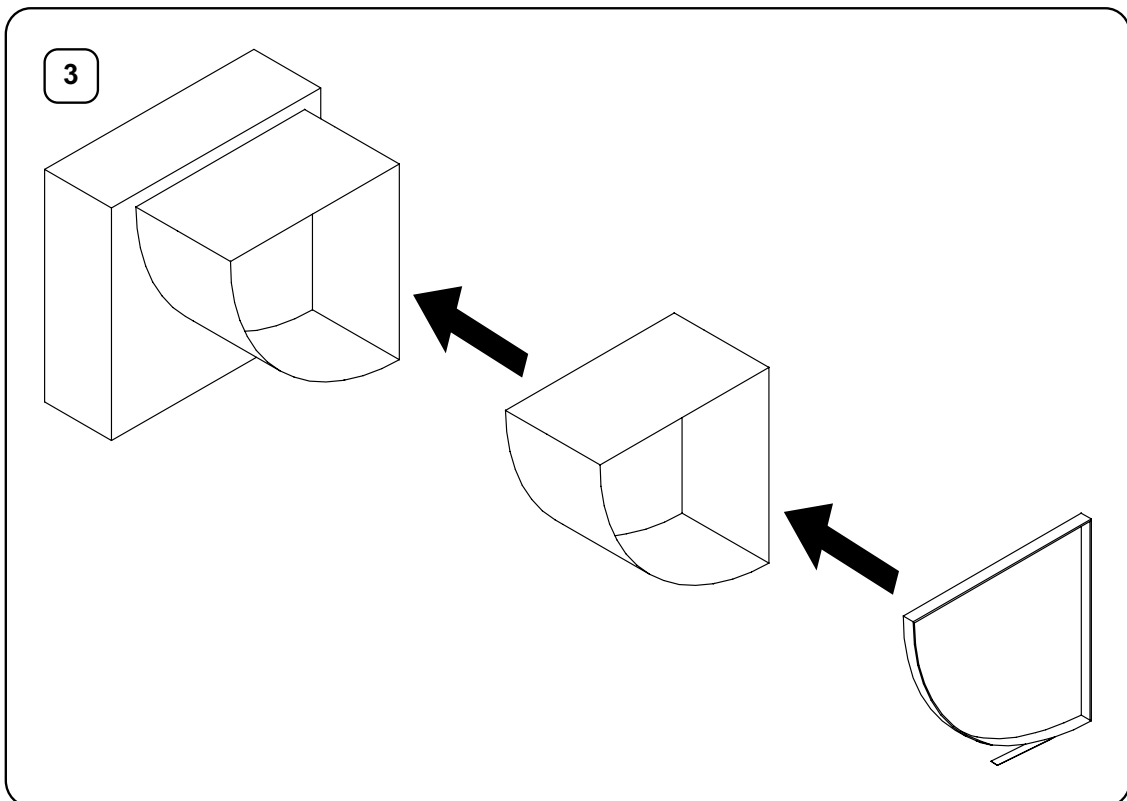
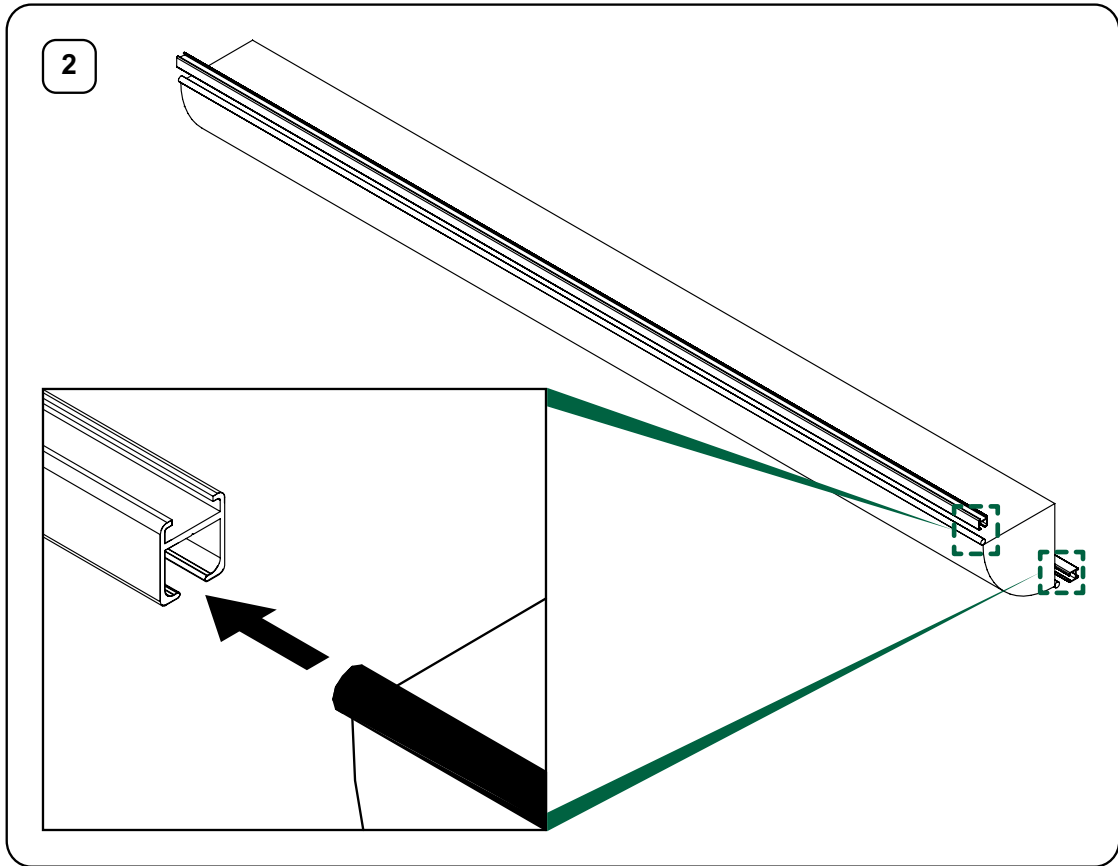


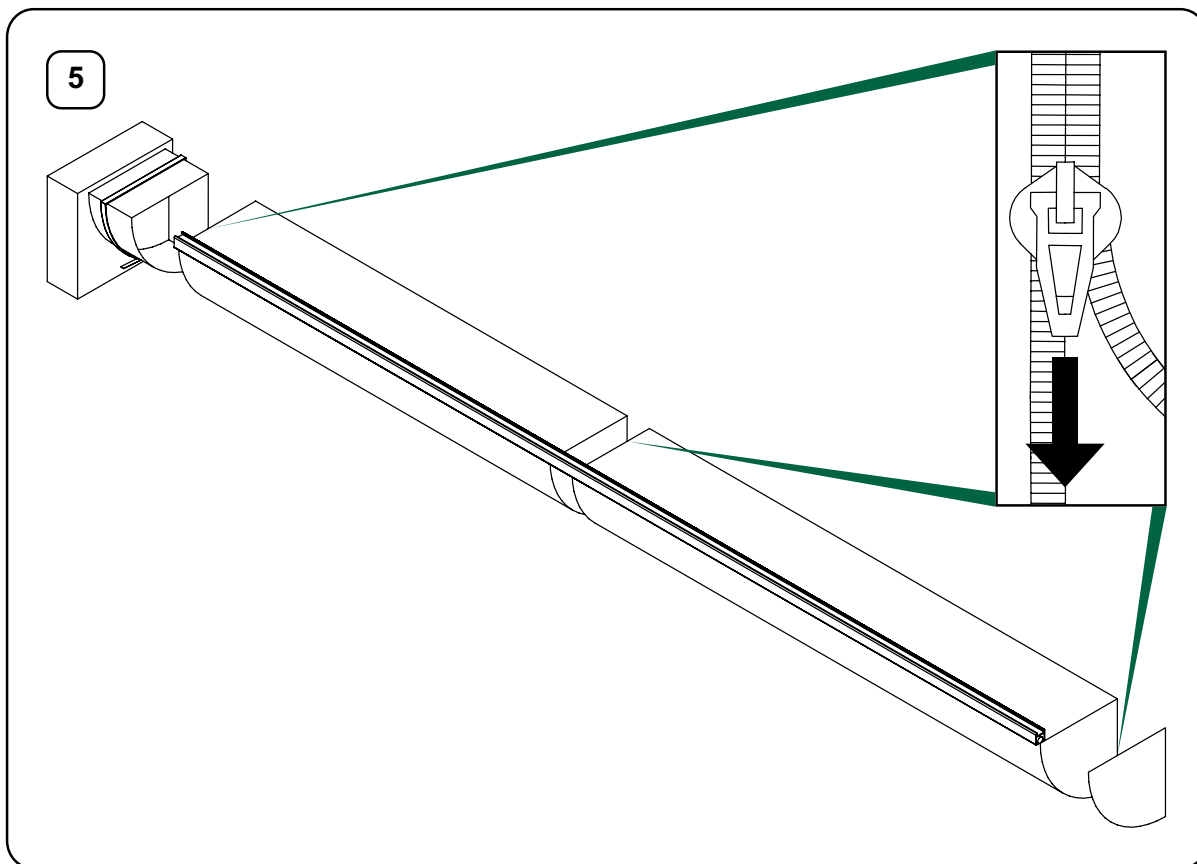
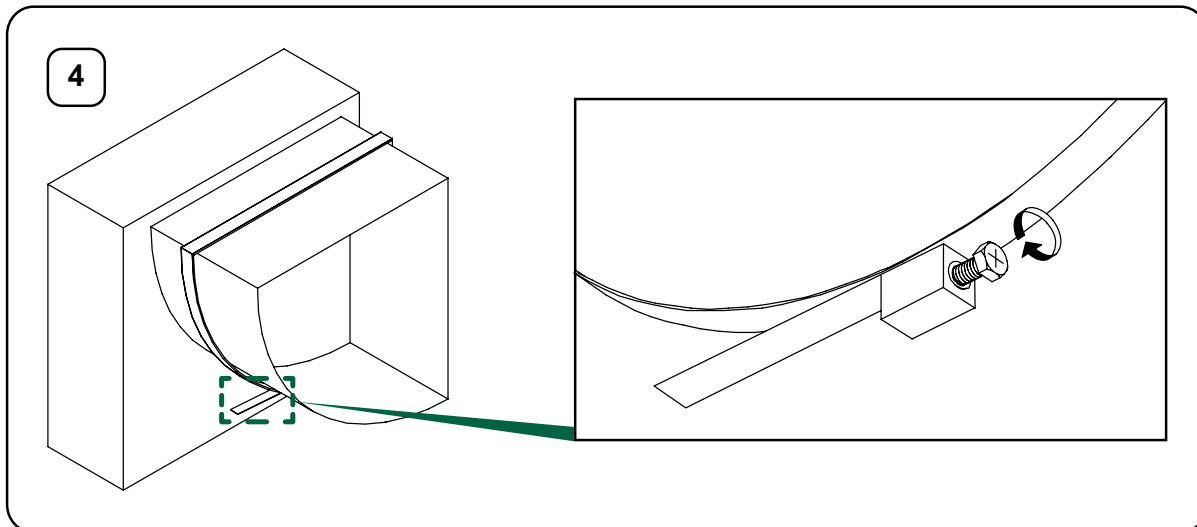
ESTD ·

· 1989





KLIMAGIEL®

## Quarter circle fabric duct with profiles










### 3 MAINTENANCE INSTRUCTIONS

	For machine maintenance work <b>it is mandatory</b> to use the following PPE:   
---	--


Maintenance includes general cleaning of the duct, to be carried out **as needed**.

#### 3.1 FABRIC DUCT CLEANING EUROCLASS B, S1 - D0






	For cleaning the duct <b>it is obligatory</b> to comply with the following requirements:    
---	---

To clean the duct, proceed in the following order:

1. *disassemble the duct;*
2. *carry out a washing cycle, either by hand or by machine, in accordance with the following requirements:*
  - *use neutral detergent,*
  - *temperature of 40 °C,*
  - *maximum duration of 15 min;*
3. *if necessary, rinse the duct;*
4. *if necessary, carry out a new washing cycle;*
5. *allow the duct to dry at room temperature;*
6. *reassemble the duct.*

	If you wish to request a washing service, please contact the manufacturer.
---	--

#### 3.2 EUROCLASS A1 GLASS FIBRE DUCT CLEANING

	When cleaning the duct <b>it is obligatory</b> to comply with the following requirements:    
---	--

To clean the duct, proceed in the following order:

1. *disassemble the duct;*
2. *carry out a hand-wash cycle at a maximum temperature of 40 °C;*
3. *if necessary, rinse the duct;*
4. *if necessary, carry out a new wash cycle;*
5. *allow the duct to dry at room temperature;*
6. *reassemble the duct.*

**Klimagiel S.r.l.**

Via Mezzacampagna, 52/37

37135 Verona (VR), Italy

Tel. +39 045 916672 ext. 208

Fax. +39 045 8344222

E-mail: [klimagiel@klimagiel.it](mailto:klimagiel@klimagiel.it)

VAT/Tax number 02868700234

SDI M5UXCR1

[www.klimagiel.it](http://www.klimagiel.it)

