

ESTD •

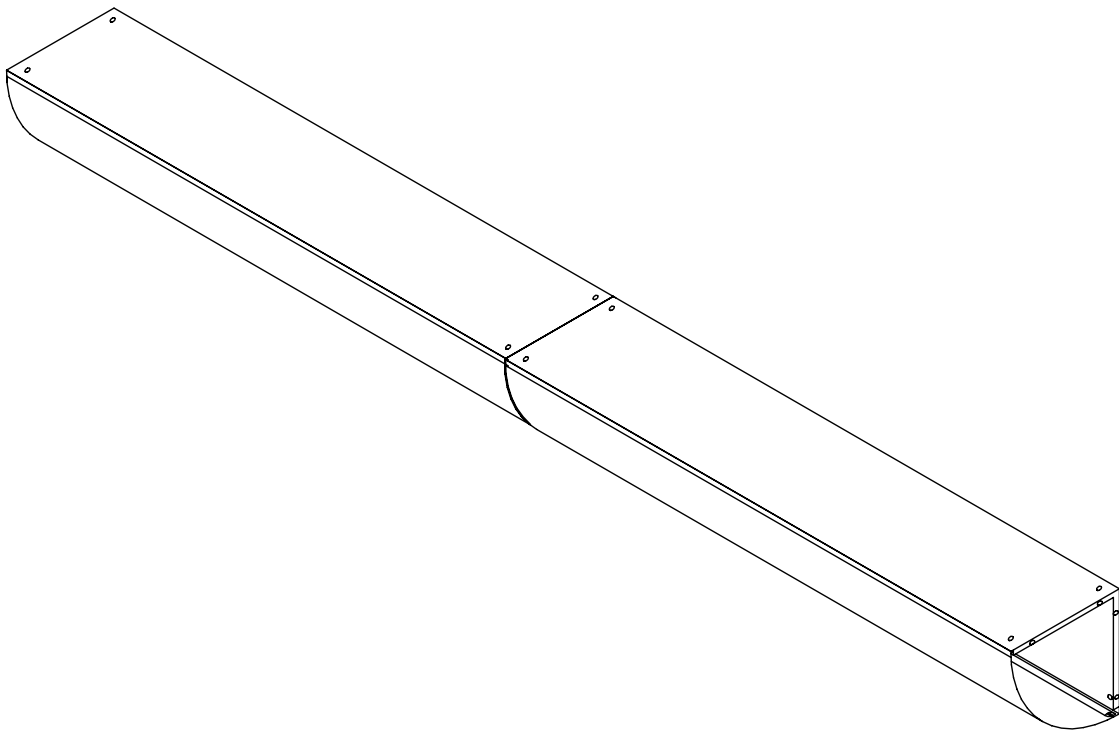


• 1989

**KLIMAGIEL®**

l'aria che ti rispetta

## **QUARTER CIRCLE METAL DUCT**



### **Installation Instructions**

**Translation of original instructions - EN**


# 1 GENERAL INFORMATION

## 1.1 RECIPIENTS OF THE DOCUMENT AND TASKS

This Document is intended for the Technical Installer personnel who have the technical-professional requisites to carry out specialised work on the product, in compliance with the instructions contained in this Document and in accordance with the relevant safety standards.





## 1.2 USING THE SYMBOLS

To draw the attention of users to the correct and safe use of the product, the following graphic symbol is adopted in this Document:

	The symbol is used to call the attention to especially important information.
---	---

The graphic symbols listed in the following table are also adopted in this Document to represent Personal Protective Equipment (PPE).

The symbol of each device will be indicated whenever a particular operation described in this Document requires its use.

SYMBOL	MEANING
	It is mandatory to wear <b>protective gloves</b> when performing the relevant operations.
	It is mandatory to wear <b>protective shoes</b> when performing the relevant operations.
	It is mandatory to wear a <b>protective helmet</b> when performing the relevant operations.
	It is mandatory to wear a <b>protective mask</b> when performing the relevant operations.

Tab. 1 Graphic symbols adopted for PPE

## 1.3 PRODUCT IDENTIFICATION DATA

Each main component of the product is identified by an identification code described below. Sequential identification codes provide an indication of the assembly sequence.

### 1.3.1 Metal product identification code

The identification code **(1)** of the metal product is stamped on the surface of the main components of the product (refer to the documentation provided with this Document, in particular the technical drawings).

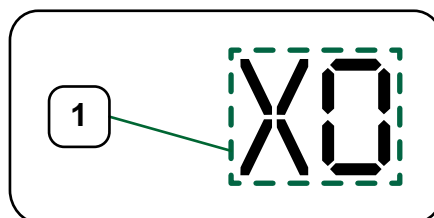
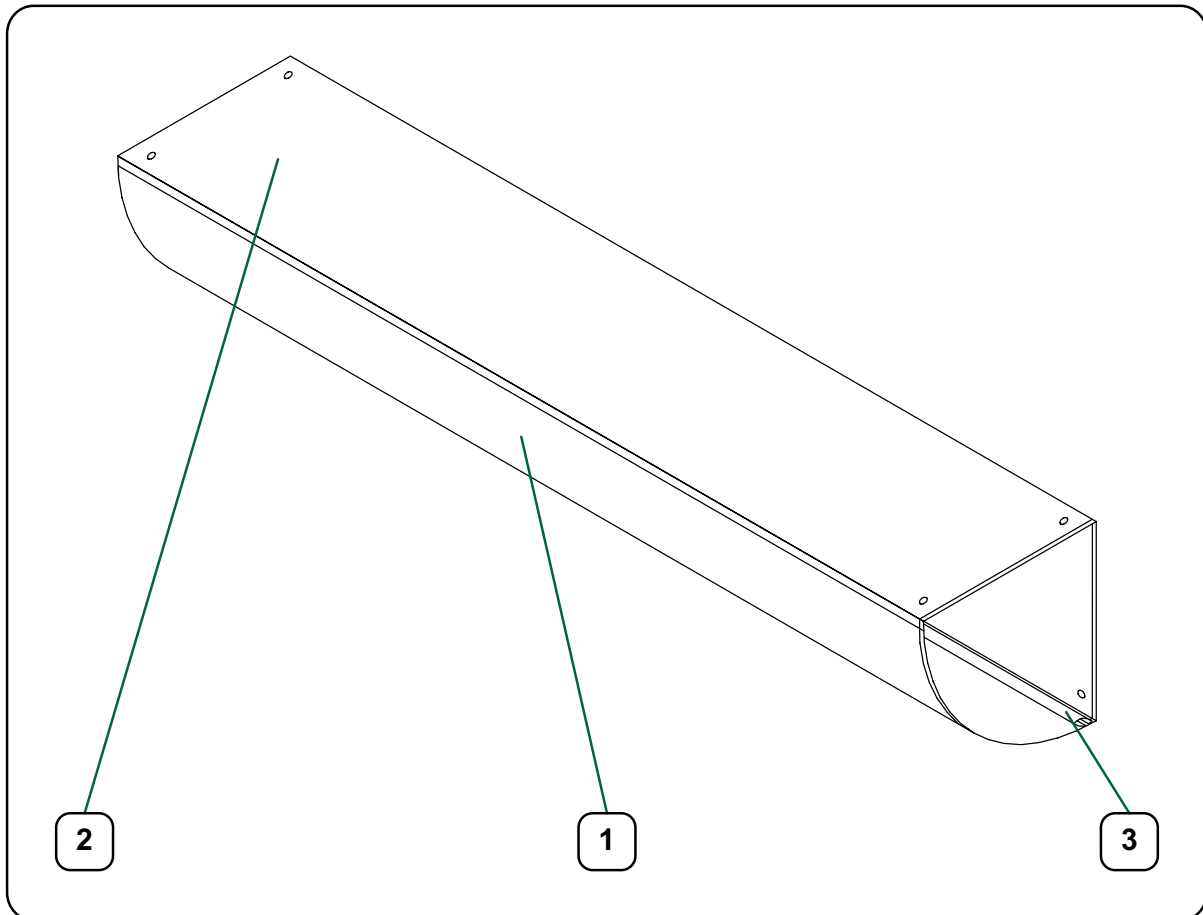


Fig. 1 Metal product identification code

## 2 METAL QUARTER CIRCLE DUCT

### 2.1 GENERAL DESCRIPTION

The product is a metal quarter circle duct.  
The main components of the product are described below.



REFERENCE	DESCRIPTION	CUSTOMER'S RESPONSIBILITIES
1	Duct, consisting of: - initial section; - intermediate sections; - end cover.	
2	Ceiling, consisting of: - initial section; - intermediate sections; - terminal section.	
3	Linear bayonets	
/	Dowels	X

**Tab. 2** General description



ESTD ·

· 1989

KLIMAGIEL®

## Quarter circle metal duct

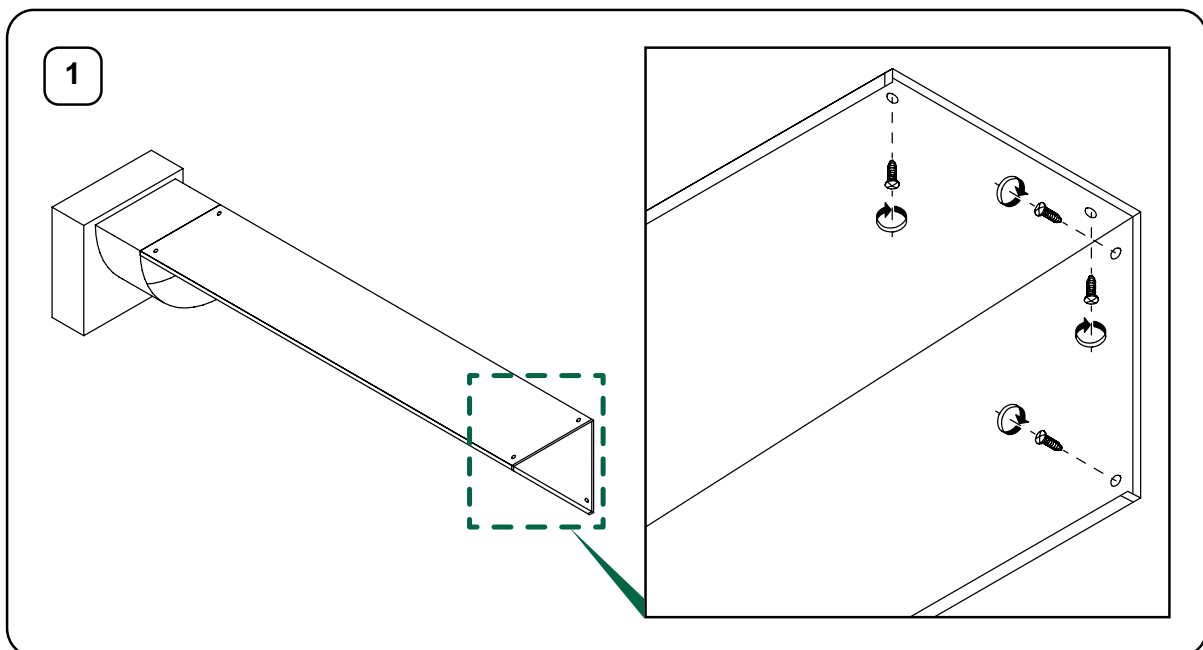
### 2.2 INSTALLATION INSTRUCTIONS

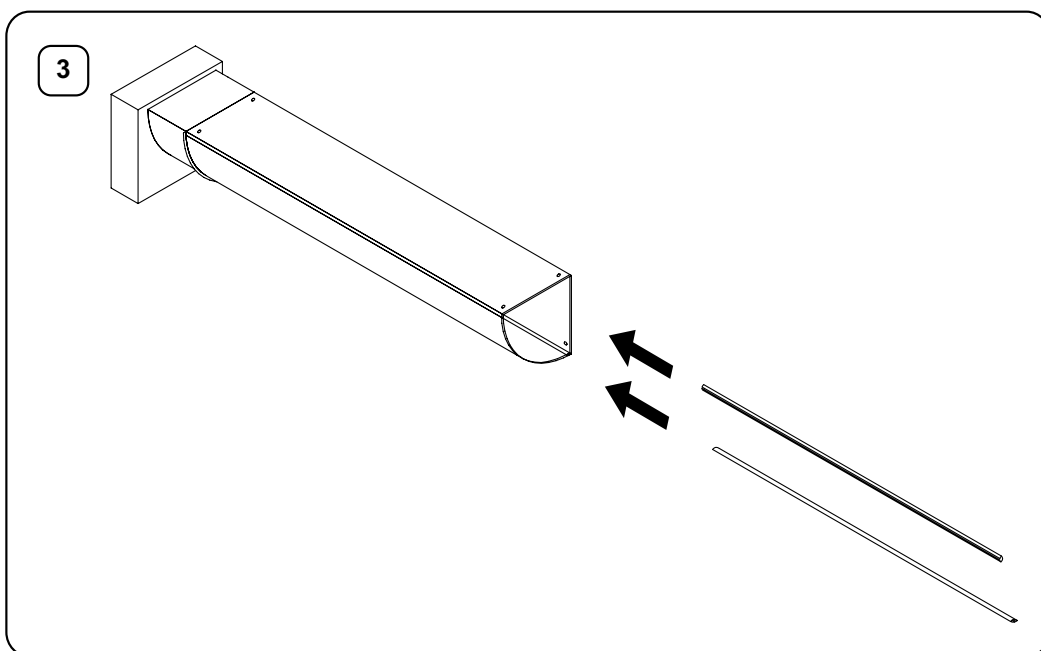
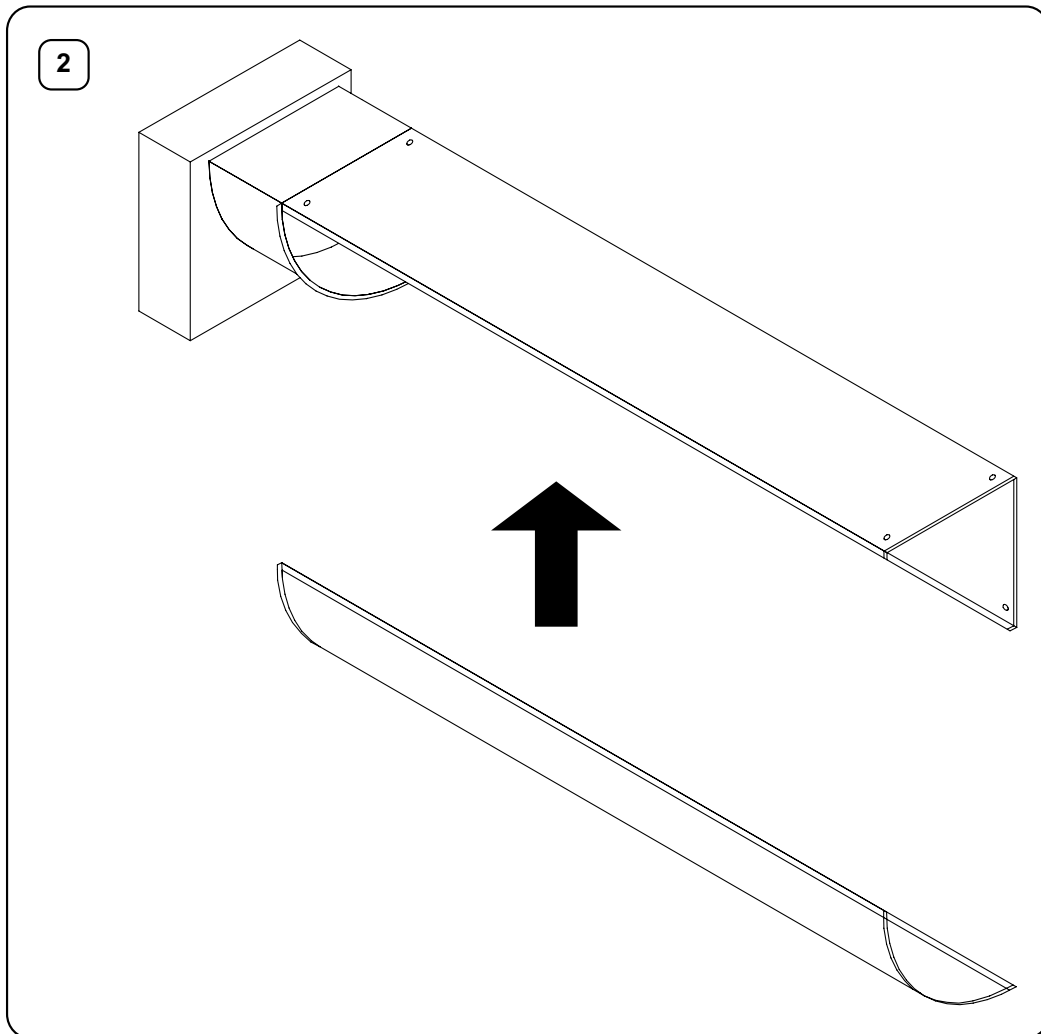


A standard tool kit must be prepared for installation operations.  
The following PPE must be used for installation operations **it is mandatory**:



The installation of a suitable connection between the inlet and the duct is the responsibility of an **Installer Technician**, who must take into account the characteristics of the machine and/or the specific installation requirements of the duct.





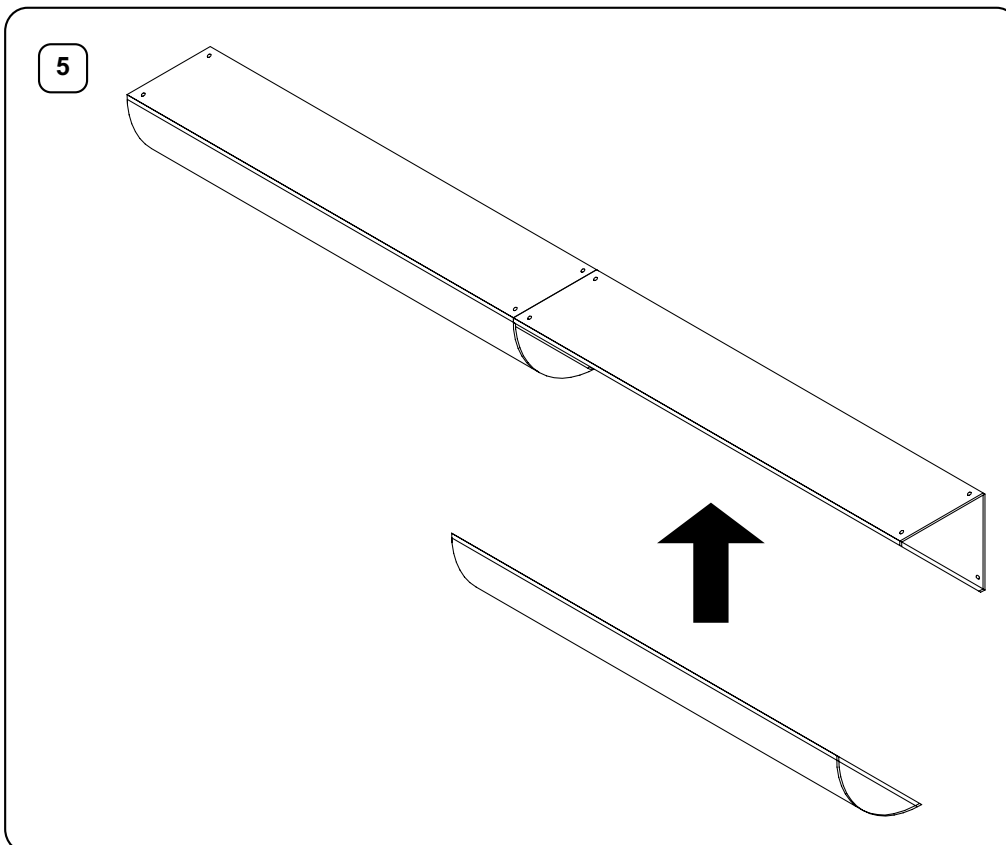
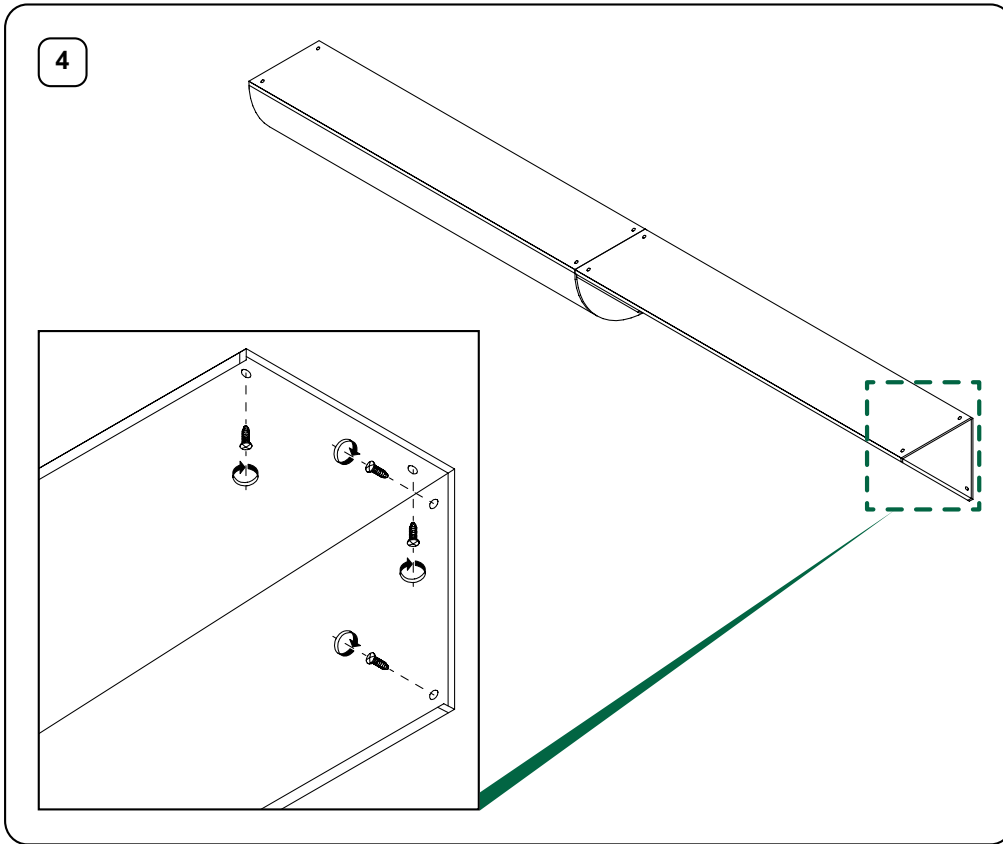


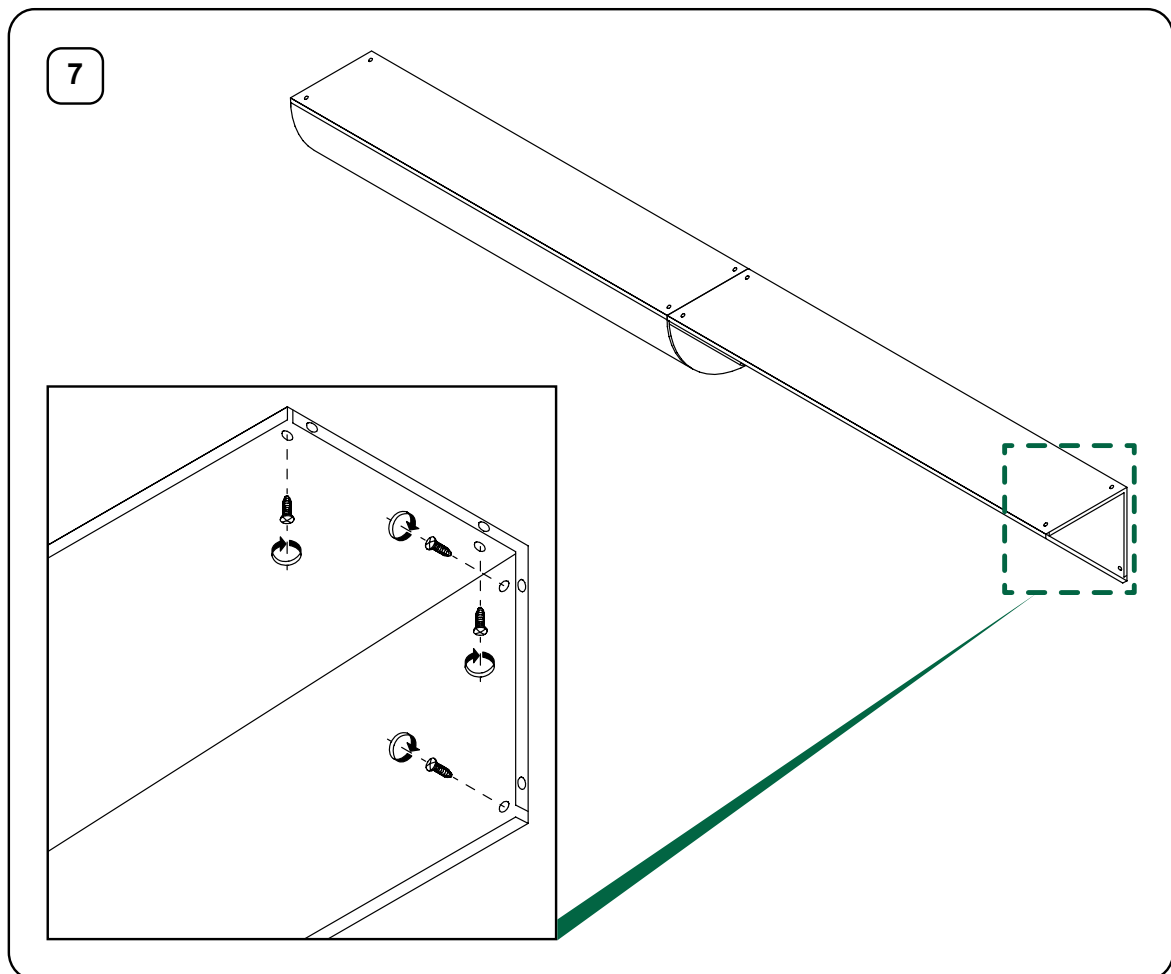
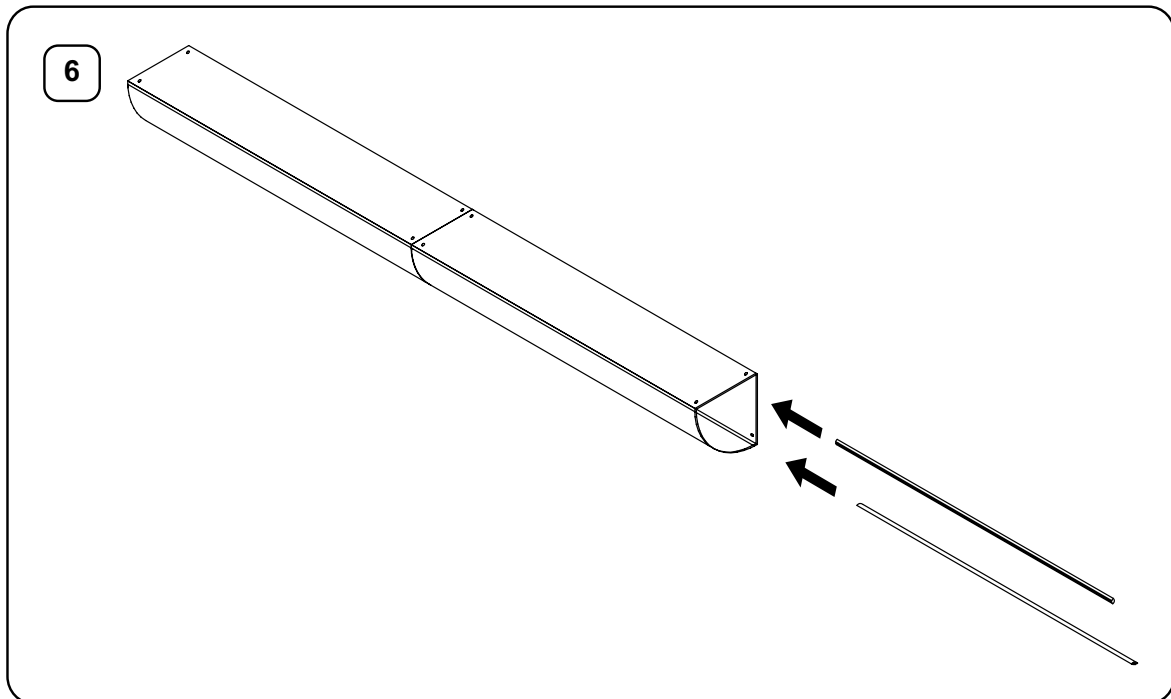
ESTD ·

· 1989

KLIMAGIEL®

## Quarter circle metal duct





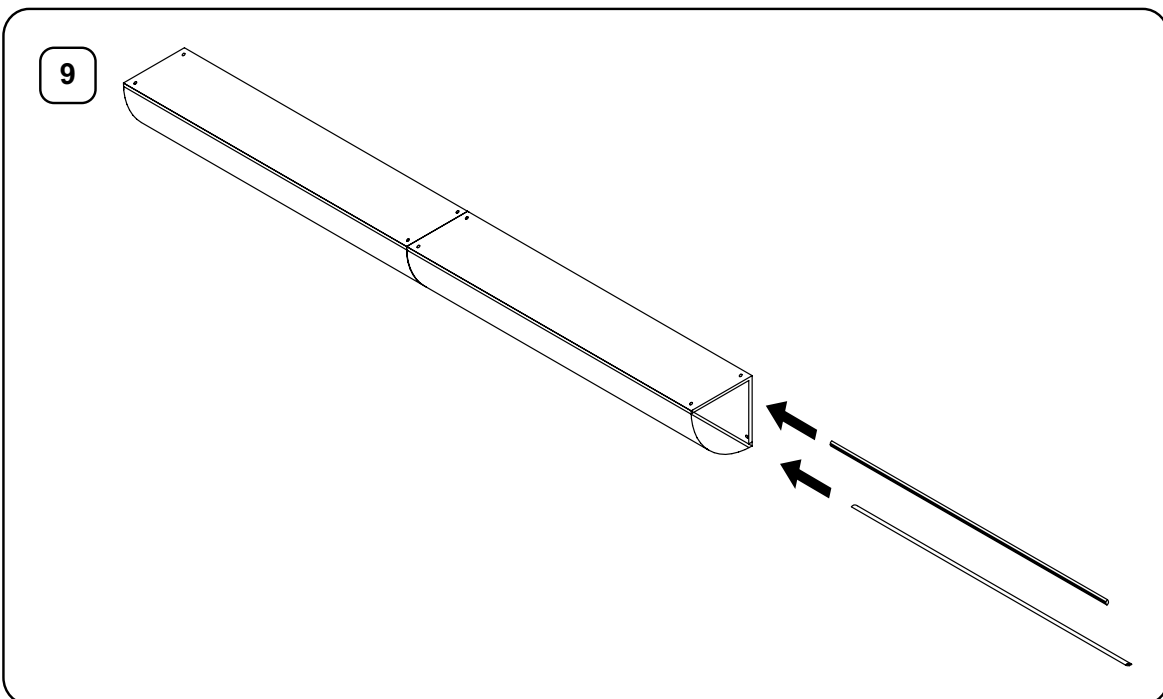
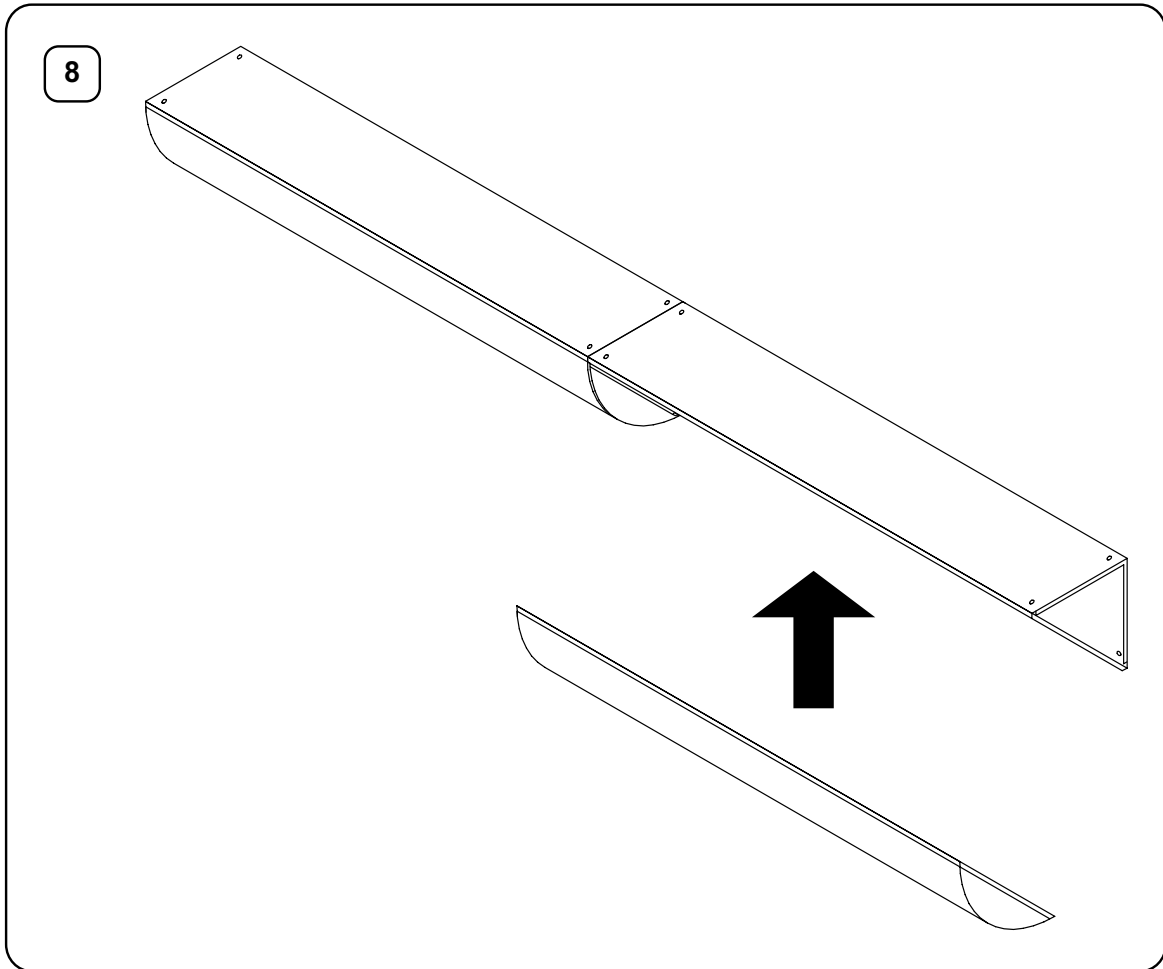


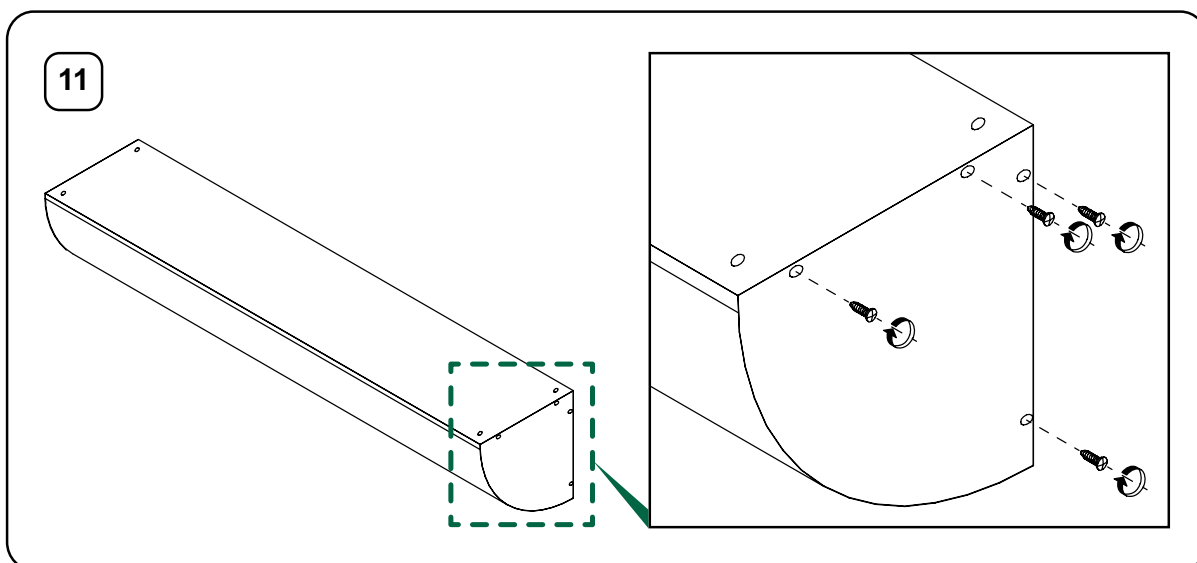
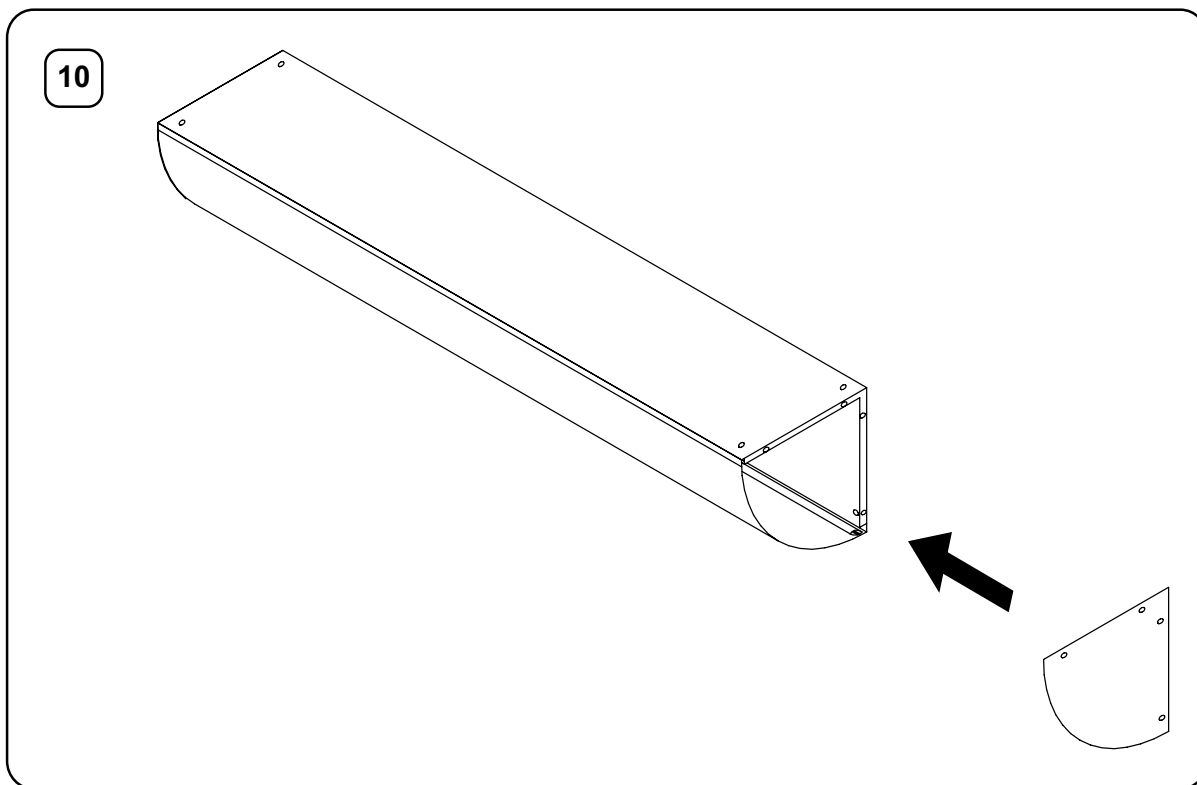
ESTD ·

· 1989

KLIMAGIEL®

## Quarter circle metal duct





If necessary, apply silicone at the joints between the ceiling and the duct.

**Klimagiel S.r.l.**

Via Mezzacampagna, 52/37

37135 Verona (VR), Italy

Tel. +39 045 916672 ext. 208

Fax. +39 045 8344222

E-mail: [klimagiel@klimagiel.it](mailto:klimagiel@klimagiel.it)

VAT/Tax number 02868700234

SDI M5UXCR1

[www.klimagiel.it](http://www.klimagiel.it)

