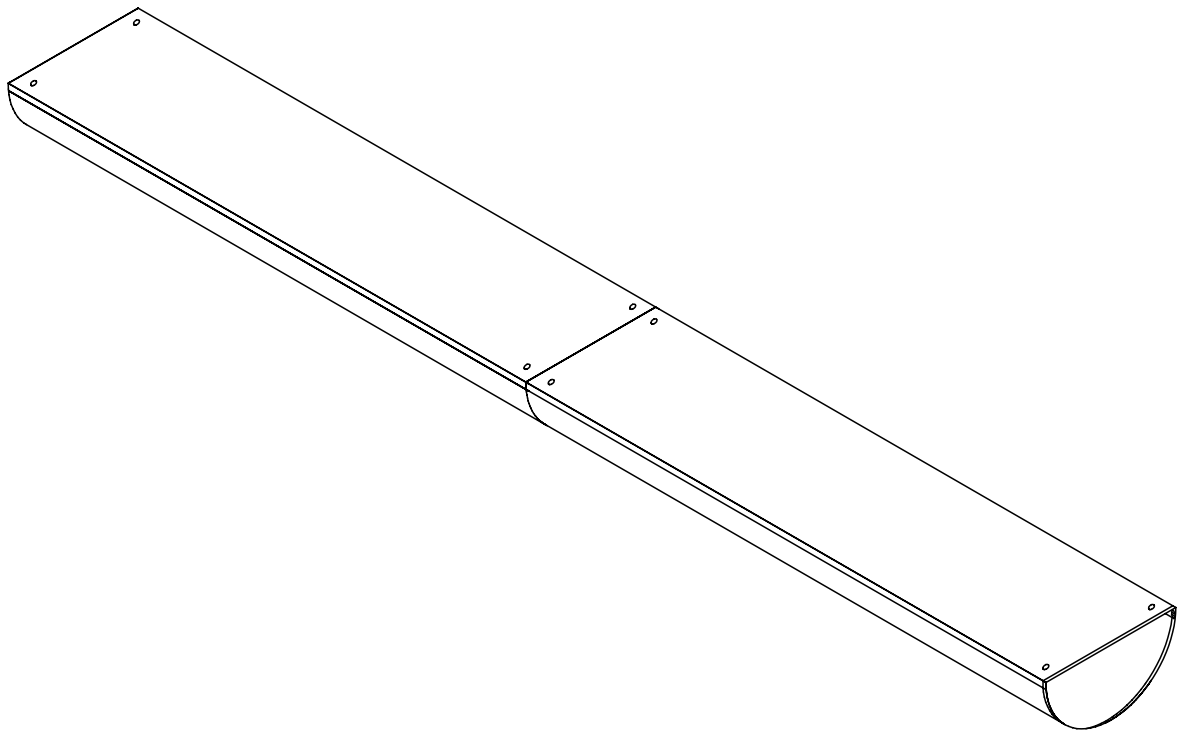




KLIMAGIEL®

l'aria che ti rispetta

SEMICIRCULAR METAL CHANNEL



Installation Instructions

Translation of original instructions - EN


1 GENERAL INFORMATION

1.1 RECIPIENTS OF THE DOCUMENT AND TASKS

This Document is intended for the Technical Installer personnel who have the technical-professional requisites to carry out specialised work on the product, in compliance with the instructions contained in this Document and in accordance with the relevant safety standards.





1.2 USING THE SYMBOLS

To draw the attention of users to the correct and safe use of the product, the following graphic symbol is adopted in this Document:

| | |
|---|---|
|  | The symbol is used to call the attention to especially important information. |
|---|---|

The graphic symbols listed in the following table are also adopted in this Document to represent Personal Protective Equipment (PPE).

The symbol of each device will be indicated whenever a particular operation described in this Document requires its use.

| SYMBOL | MEANING |
|---|---|
|  | It is mandatory to wear protective gloves when performing the relevant operations. |
|  | It is mandatory to wear protective shoes when performing the relevant operations. |
|  | It is mandatory to wear a protective helmet when performing the relevant operations. |
|  | It is mandatory to wear a protective mask when performing the relevant operations. |

Tab. 1 Graphic symbols adopted for PPE

1.3 PRODUCT IDENTIFICATION DATA

Each main component of the product is identified by an identification code described below. Sequential identification codes provide an indication of the assembly sequence.

1.3.1 Metal product identification code

The identification code **(1)** of the metal product is stamped on the surface of the main components of the product (refer to the documentation provided with this Document, in particular the technical drawings).

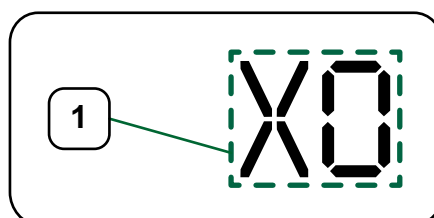
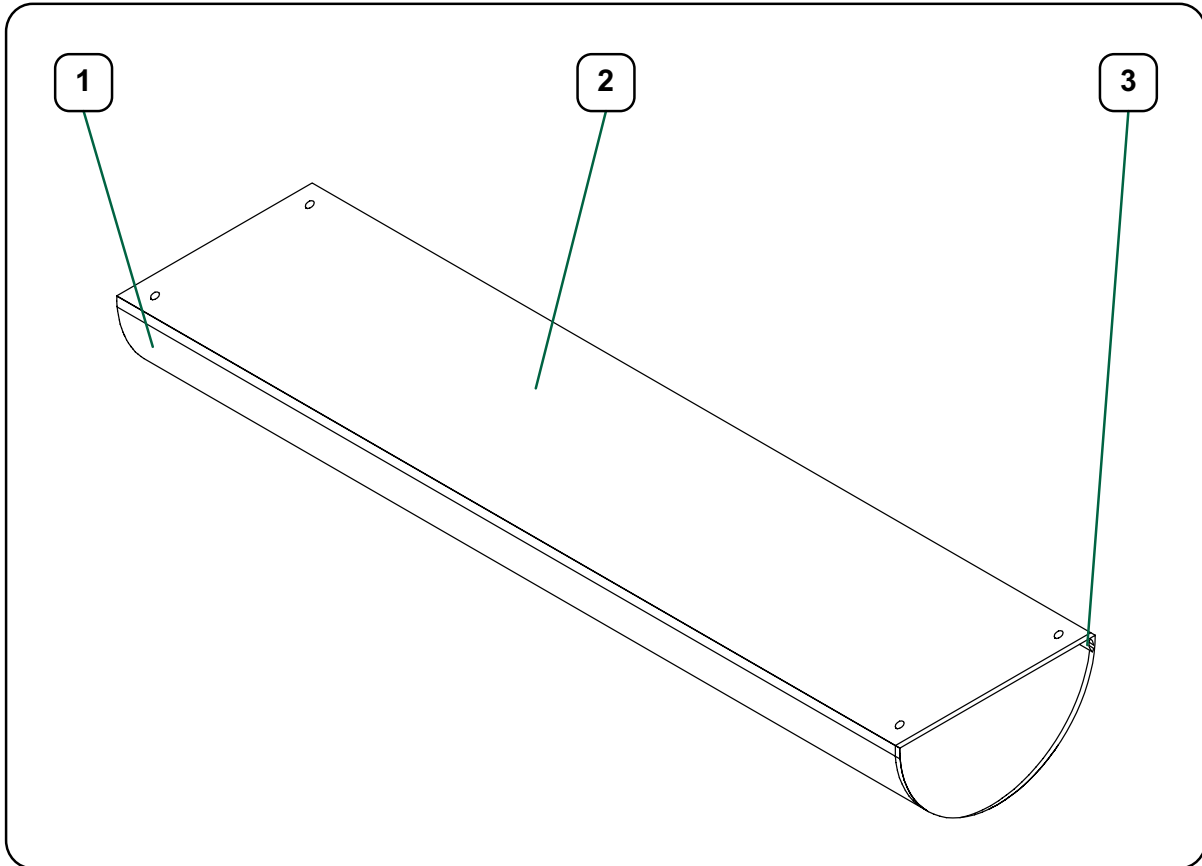


Fig. 1 Metal product identification code

2 SEMICIRCULAR METAL CHANNEL

2.1 GENERAL DESCRIPTION






The product is a semi-circular metal channel.
The main components of the product are described below.

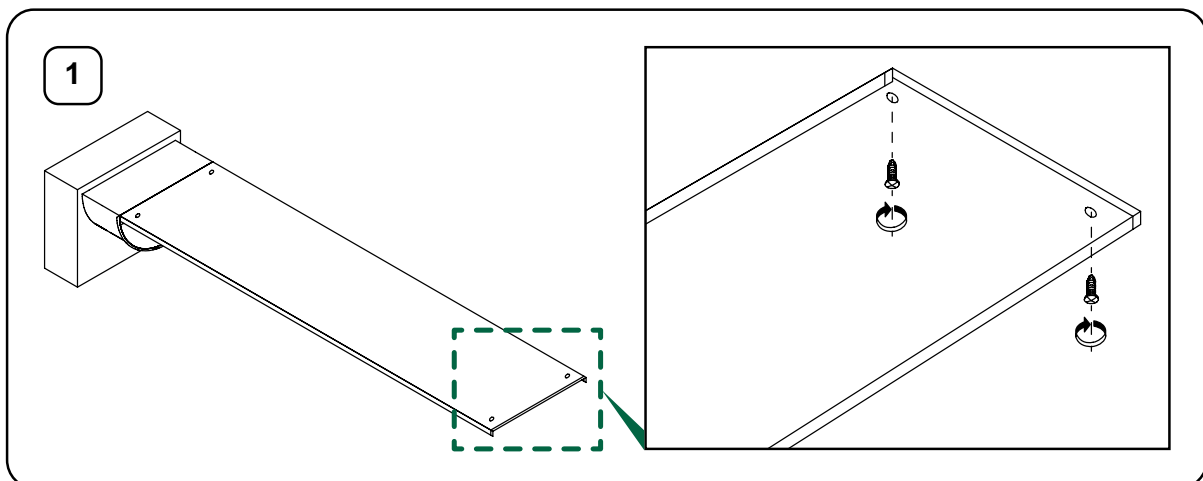


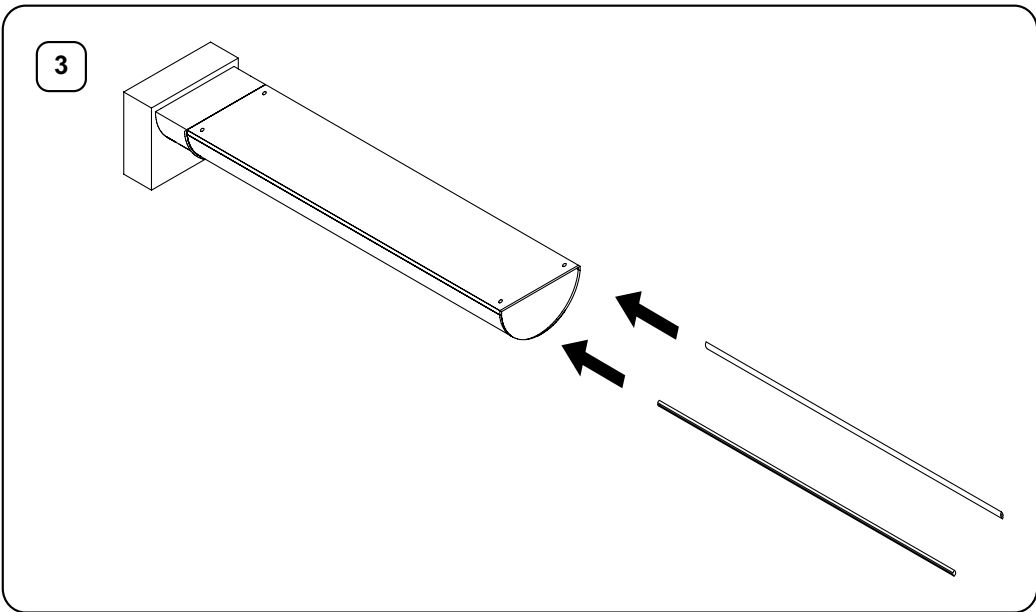
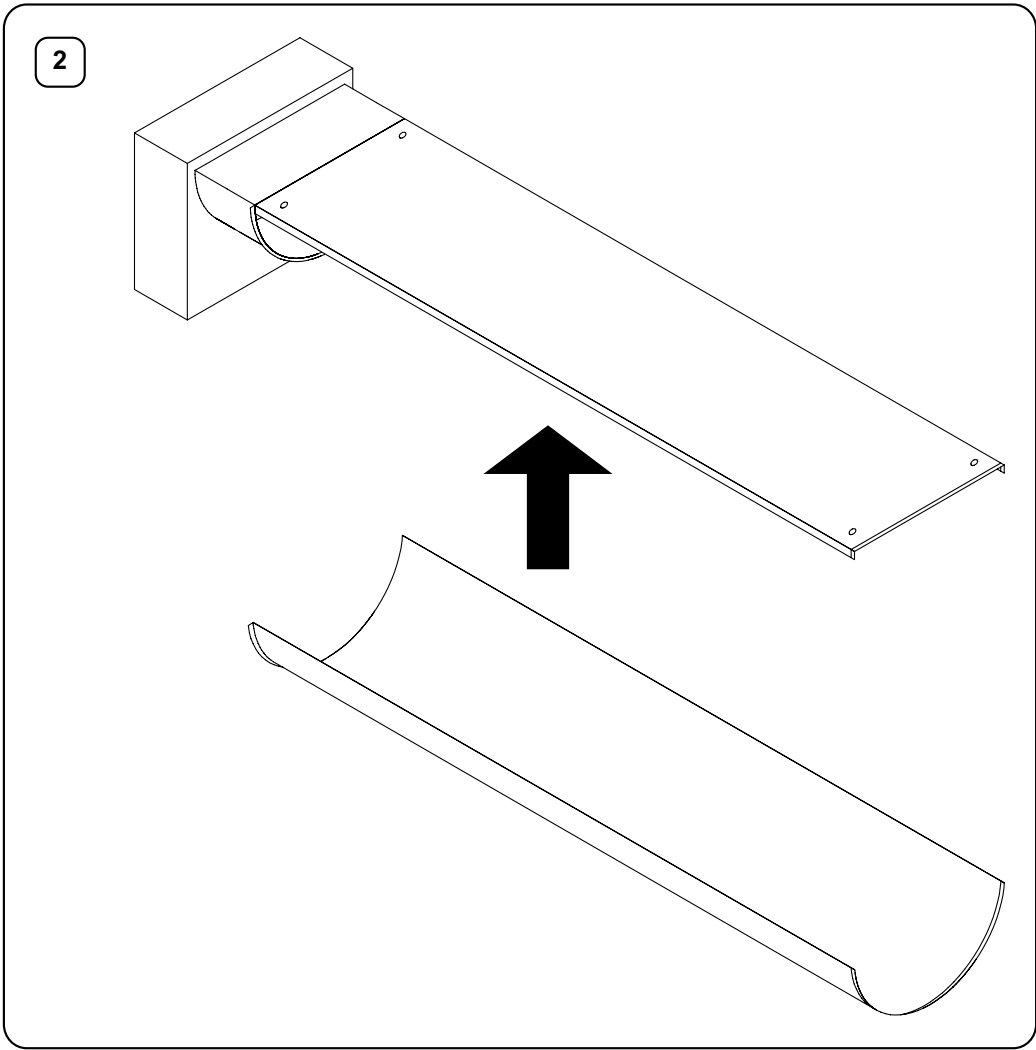
| REFERENCE | DESCRIPTION | CUSTOMER'S RESPONSIBILITIES |
|-----------|--|-----------------------------|
| 1 | Channel, consisting of: - initial section; - intermediate section; - terminal section; - terminal cover. | |
| 2 | Ceiling, consisting of: - initial section; - intermediate sections; - terminal section. | |
| 3 | Linear bayonets | |
| / | Rivets | |
| / | Dowels | X |

Tab. 2 General description

2.2 INSTALLATION INSTRUCTIONS

- | | |
|---|---|
|  | <p>A standard tool kit must be prepared for installation operations. The following PPE must be used for installation operations it is mandatory:</p> |
| |  |
|  | <p>The installation of a suitable connection between the inlet and the channel is the responsibility of an Installer Technician, who must take into account the characteristics of the machine and/or the specific installation requirements of the channel.</p> |
|  | <p>Drill the various ceiling sections at about 2 cm from the edges.</p> |
|  | <p>Caution: install the various channel sections in such a way that the air flow goes from the flared flap (male) to the smooth flap (female).</p> |





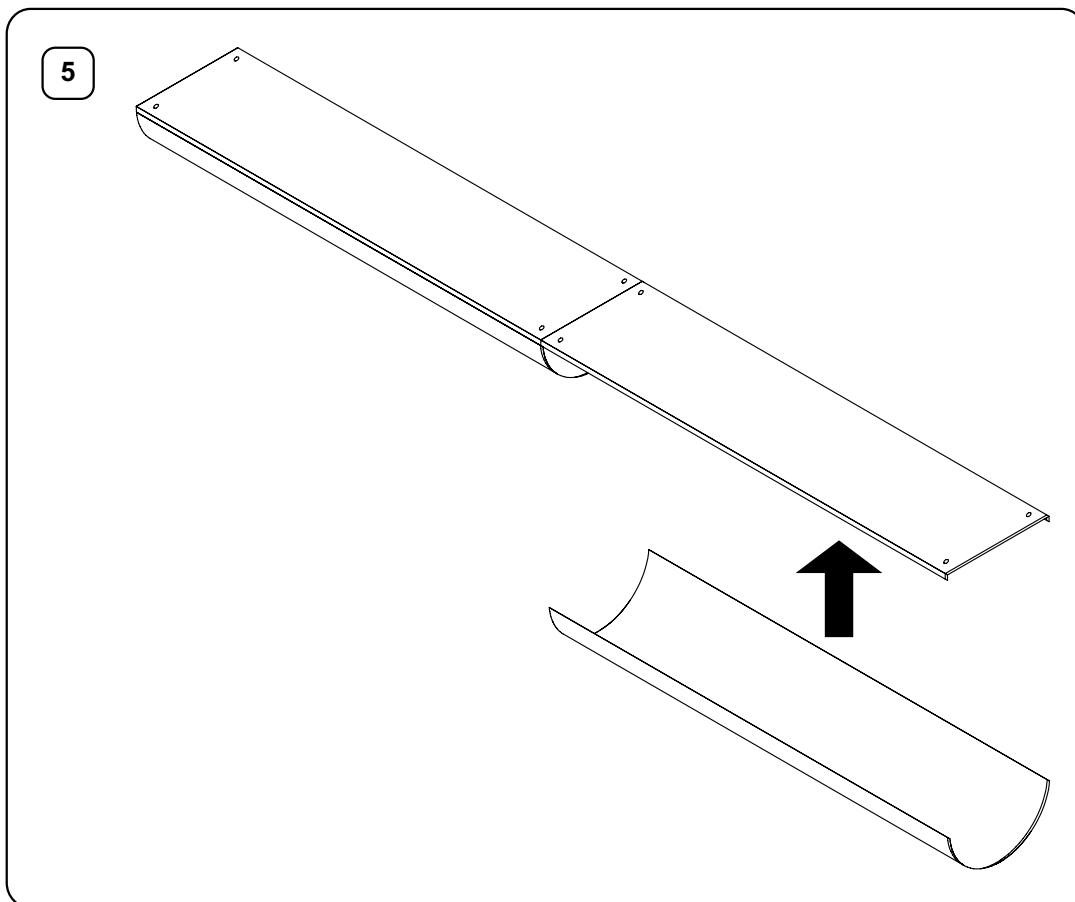
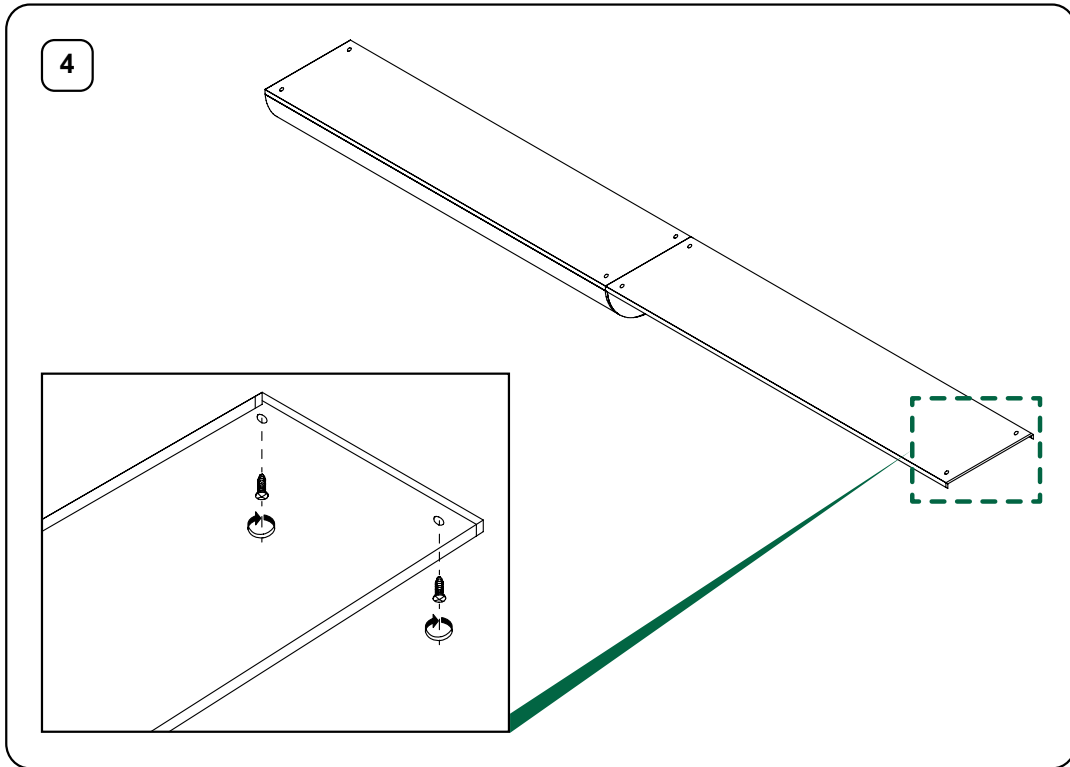


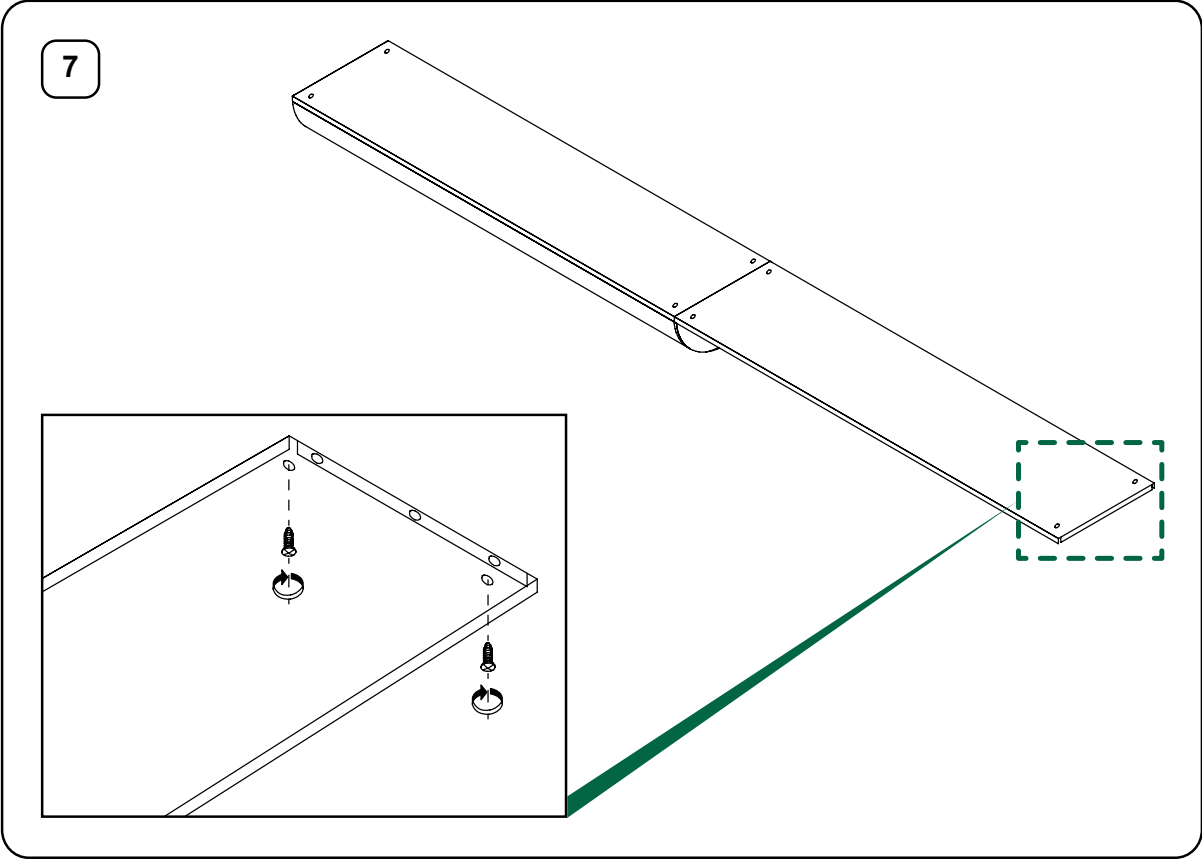
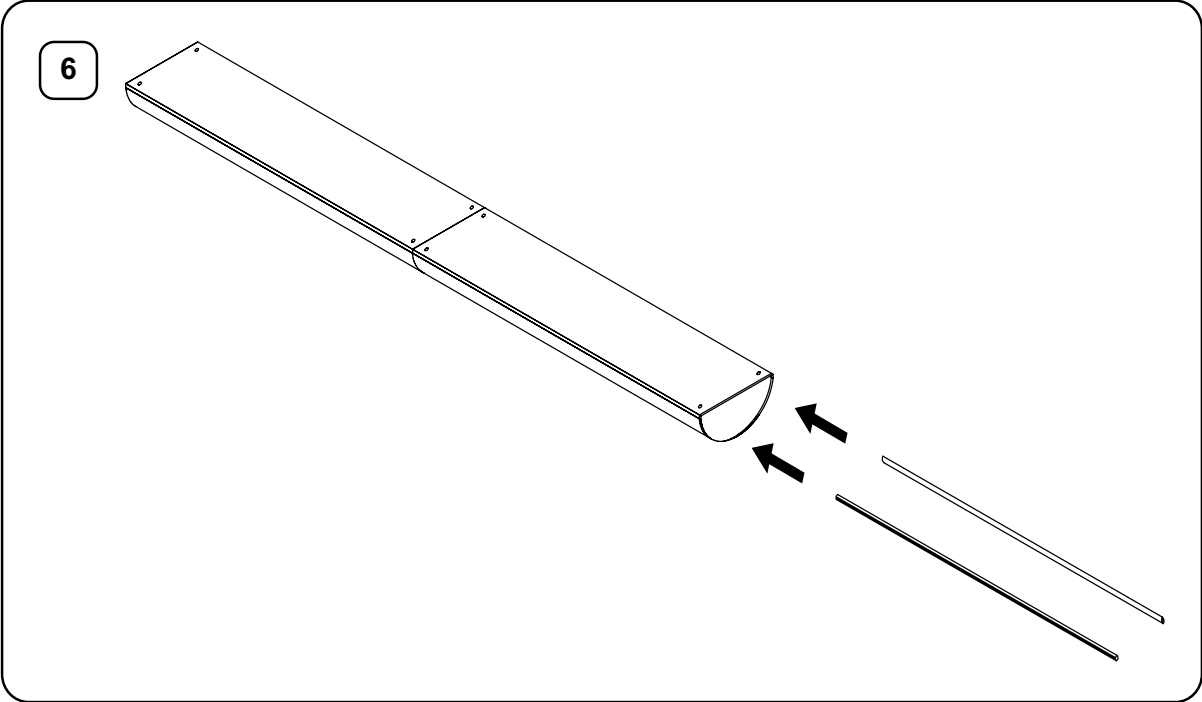
ESTD ·

1989

KLIMAGIEL®

Semicircular metal channel





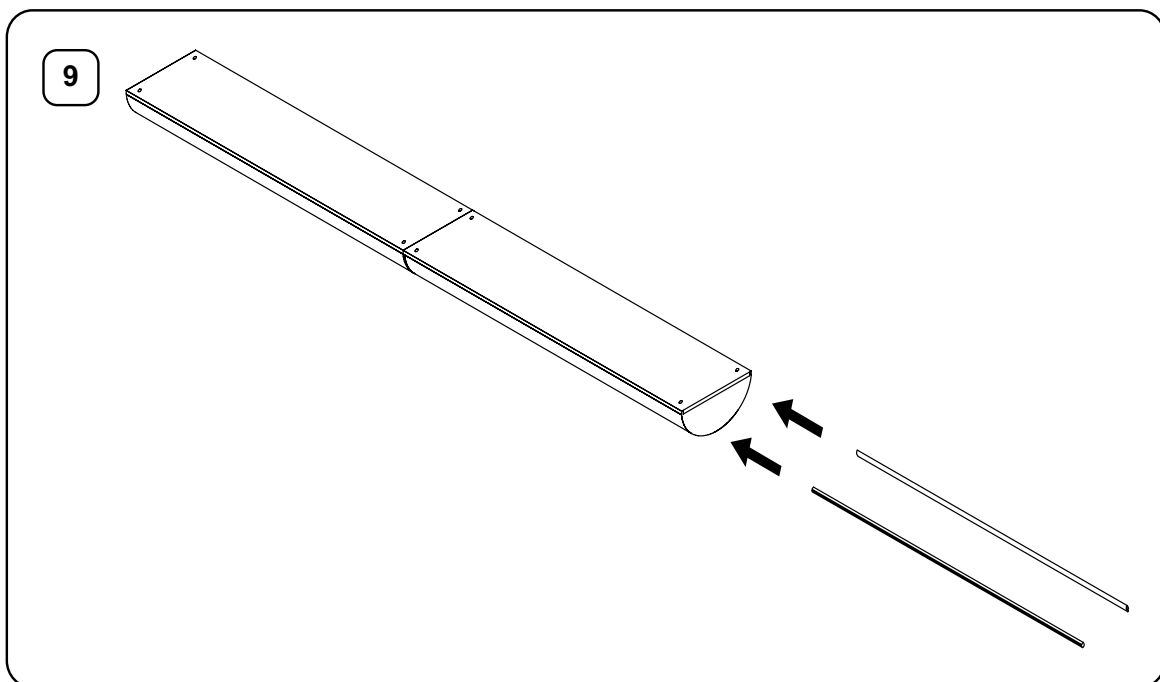
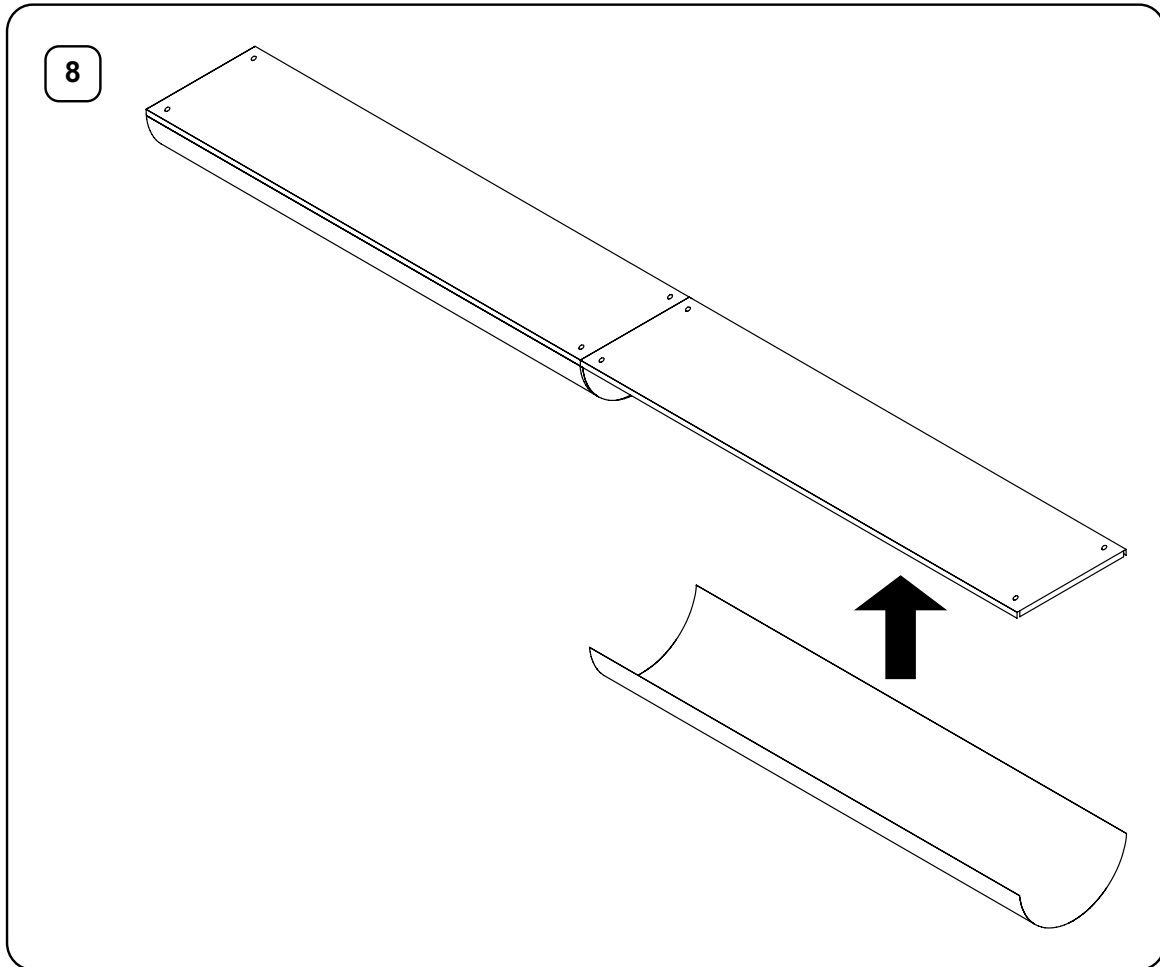


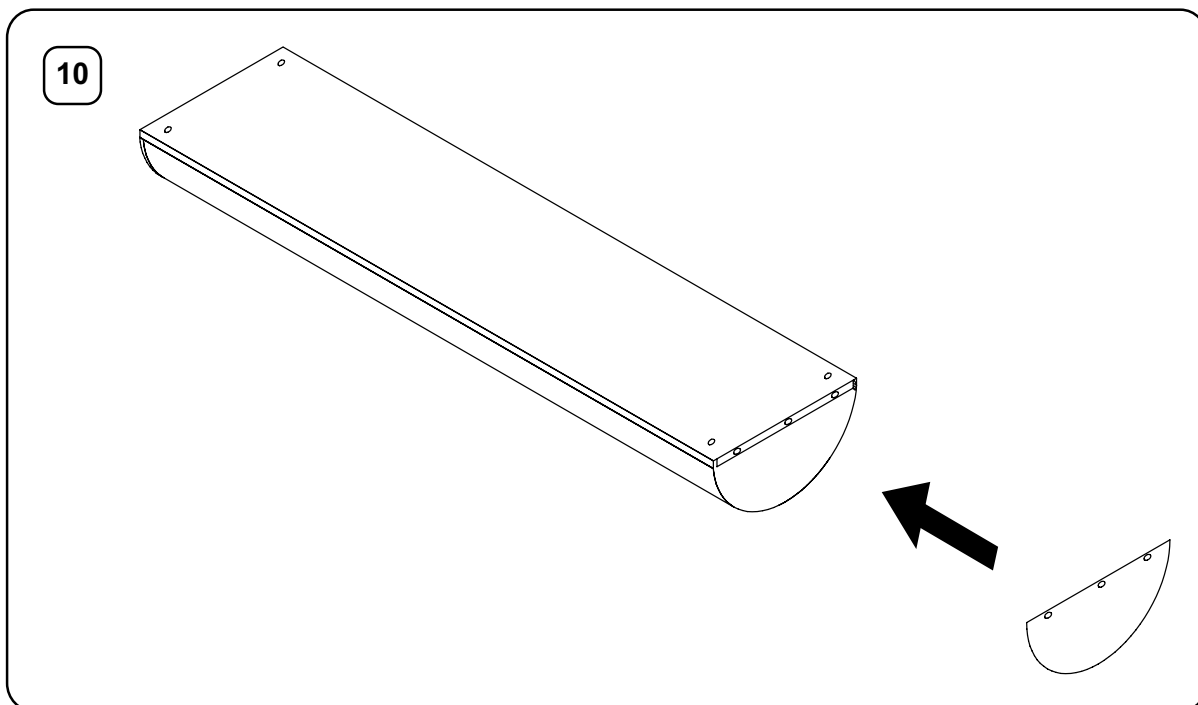
ESTD ·

· 1989

KLIMAGIEL®

Semicircular metal channel





Secure the end cover by 3 rivets.
If necessary, apply silicone at the joints between ceiling and channel.

Klimagiel S.r.l.

Via Mezzacampagna, 52/37
37135 Verona (VR), Italy
Tel. +39 045 916672 ext. 208
Fax. +39 045 8344222
E-mail: klimagiel@klimagiel.it
P.Iva/C.f. 02868700234
SDI M5UXCR1
www.klimagiel.it

