

ESTD •

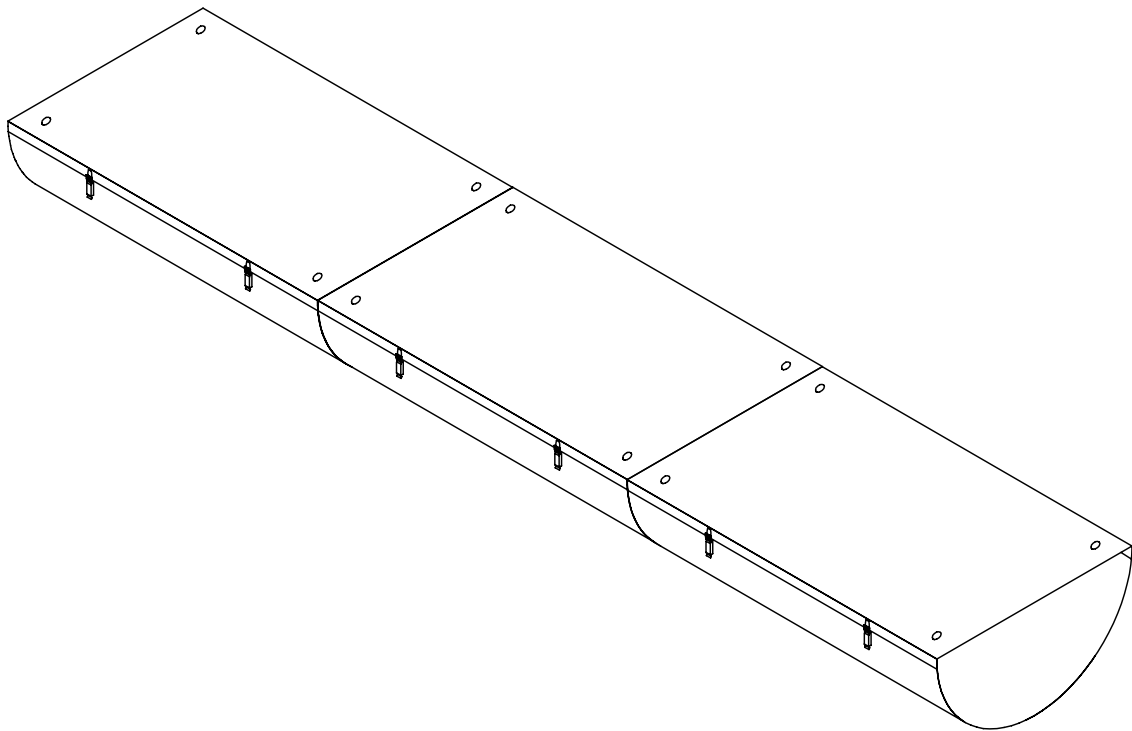


• 1989

KLIMAGIEL®

l'aria che ti rispetta

SEMI-CIRCULAR INSPECTABLE METAL DUCT



Installation Instructions

Translation of original instructions - EN


1 GENERAL INFORMATION

1.1 RECIPIENTS OF THE DOCUMENT AND TASKS

This Document is intended for the Technical Installer personnel who have the technical-professional requisites to carry out specialised work on the product, in compliance with the instructions contained in this Document and in accordance with the relevant safety standards.





1.2 USING THE SYMBOLS

To draw the attention of users to the correct and safe use of the product, the following graphic symbol is adopted in this Document:

	The symbol is used to call the attention to especially important information.
---	---

The graphic symbols listed in the following table are also adopted in this Document to represent Personal Protective Equipment (PPE).

The symbol of each device will be indicated whenever a particular operation described in this Document requires its use.

SYMBOL	MEANING
	It is mandatory to wear protective gloves when performing the relevant operations.
	It is mandatory to wear protective shoes when performing the relevant operations.
	It is mandatory to wear a protective helmet when performing the relevant operations.
	It is mandatory to wear a protective mask when performing the relevant operations.

Tab. 1 Graphic symbols adopted for PPE

1.3 PRODUCT IDENTIFICATION DATA

Each main component of the product is identified by an identification code described below. Sequential identification codes provide an indication of the assembly sequence.

1.3.1 Metal product identification code

The identification code **(1)** of the metal product is stamped on the surface of the main components of the product (refer to the documentation provided with this Document, in particular the technical drawings).

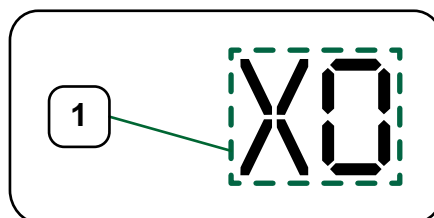
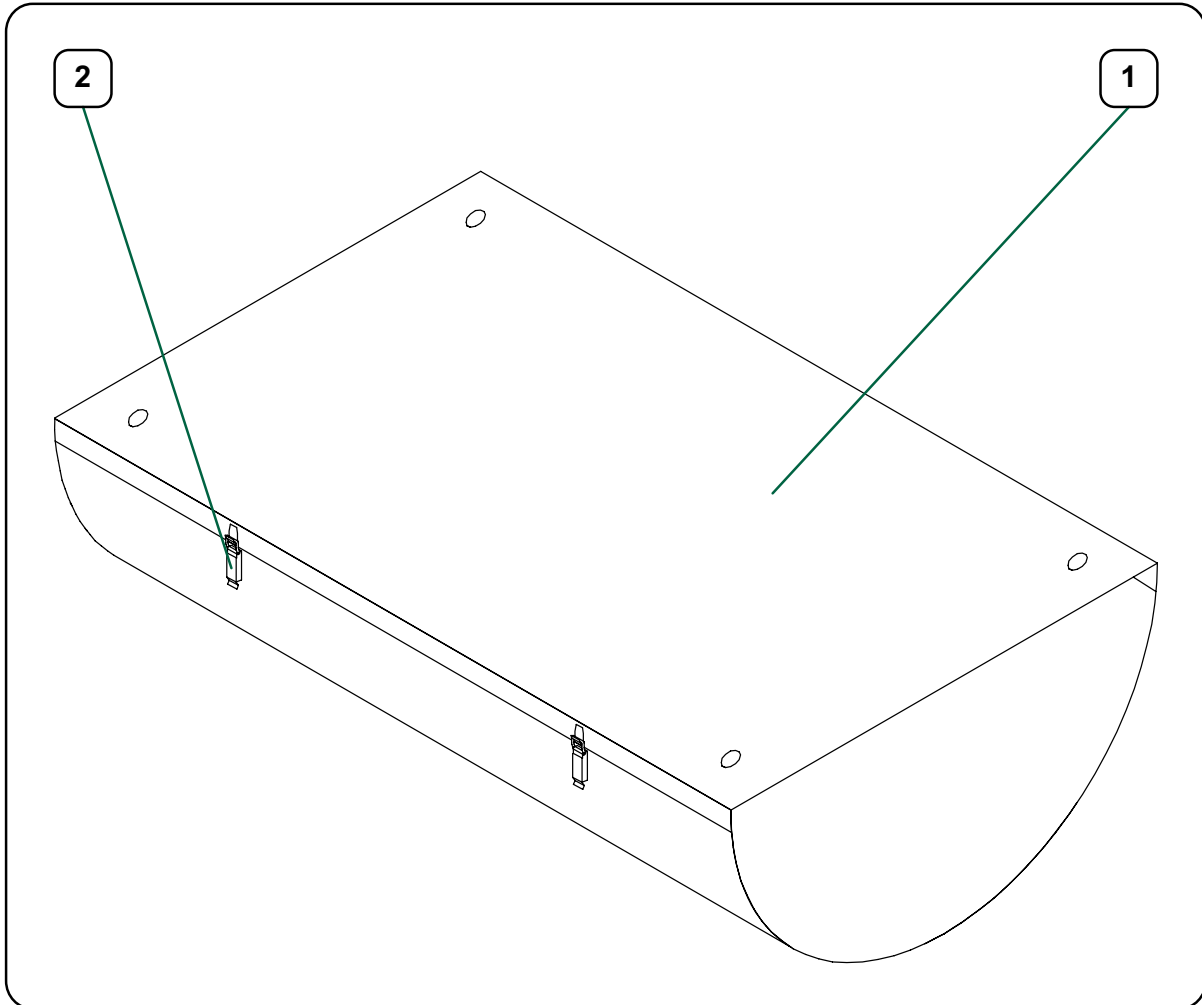


Fig. 1 Metal product identification code

2 INSPECTABLE SEMI-CIRCULAR METAL DUCT

2.1 GENERAL DESCRIPTION



The product is an inspectable semi-circular metal duct.
The main components of the product are described below.




REFERENCE	DESCRIPTION	CUSTOMER'S RESPONSIBILITIES
1	Duct, consisting of: - male/male intermediate sections; - female/female intermediate sections; - end section.	
2	Hooks	
/	Dowels	X


Tab. 2 General description

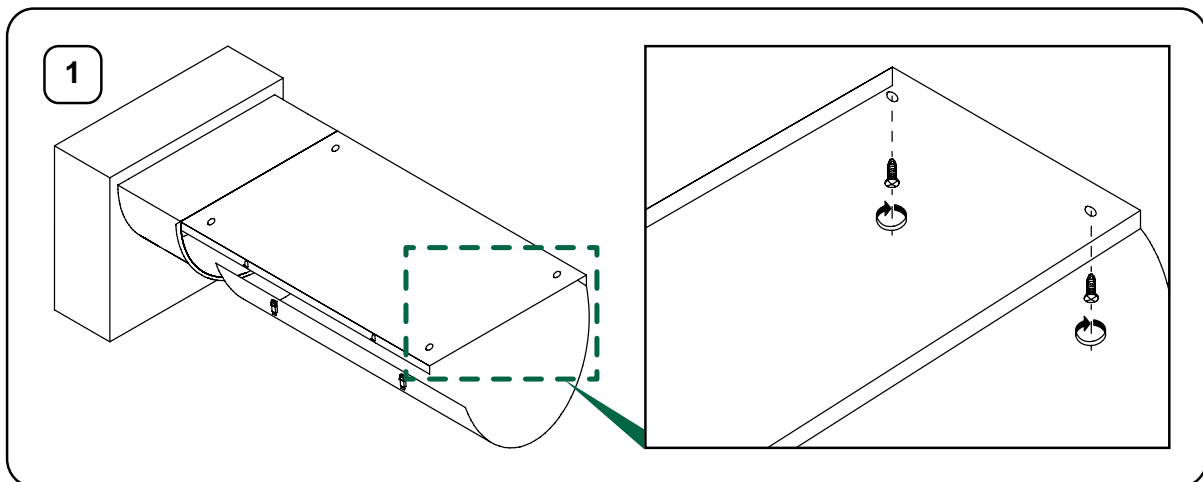
2.2 INSTALLATION INSTRUCTIONS


	<p>A standard tool kit must be prepared for installation operations. The following PPE must be used for installation operations it is mandatory:</p>
	

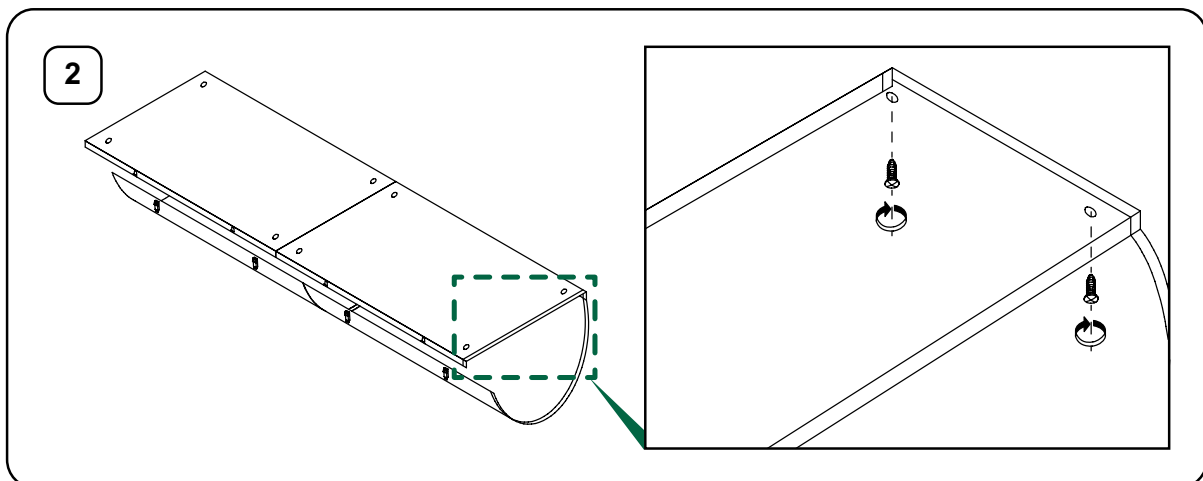
	<p>Install the duct at a minimum distance from the side wall equal at least to the duct diameter. Please refer to the documentation supplied with this Document for the duct diameter.</p>
---	--

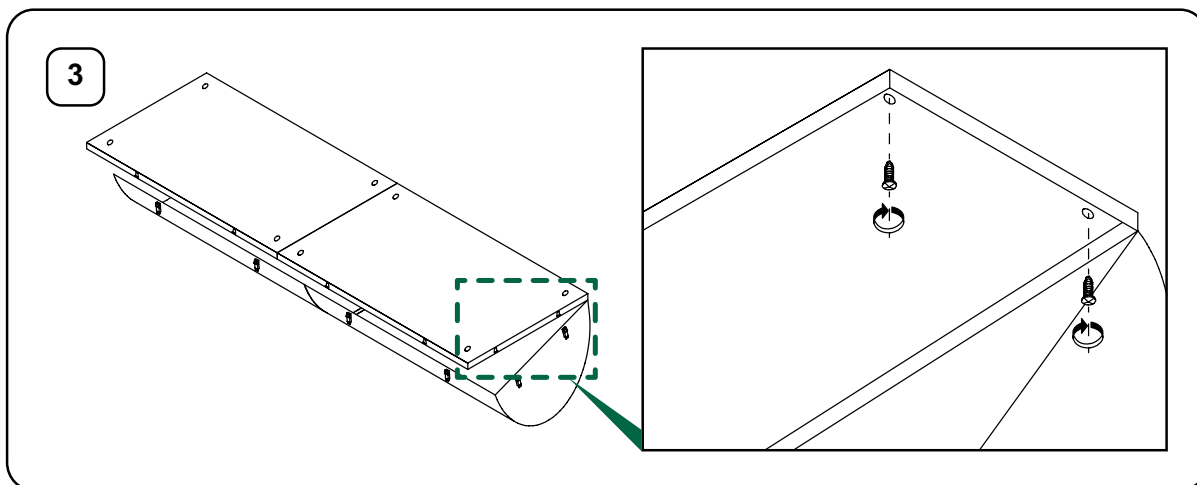
	<p>The installation of a suitable connection between the inlet and the duct is the responsibility of an Installer Technician, who must take into account the characteristics of the machine and/or the specific installation requirements of the duct.</p>
---	---

	<p>Drill the top of the various duct sections about 2 cm from the edges.</p>
---	--



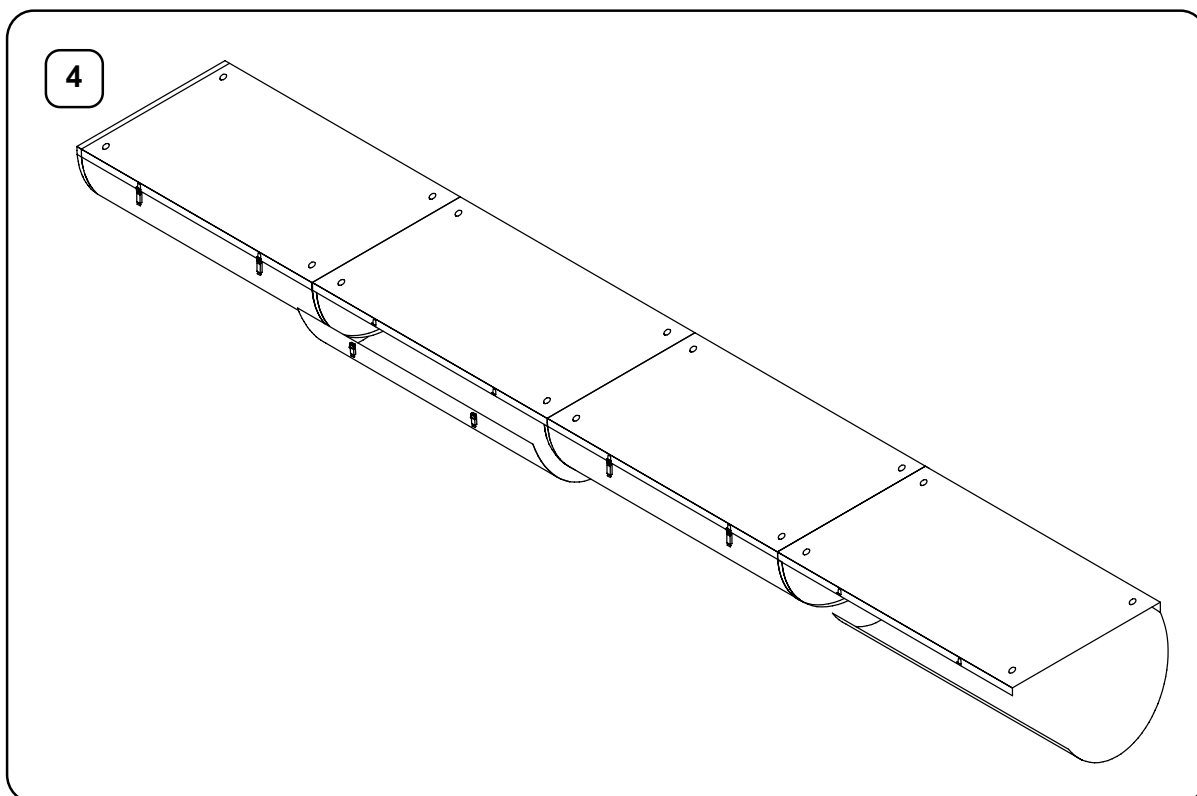
	<p>Caution: to install the duct correctly couple the male/male and female/female duct sections in sequence.</p>
---	--

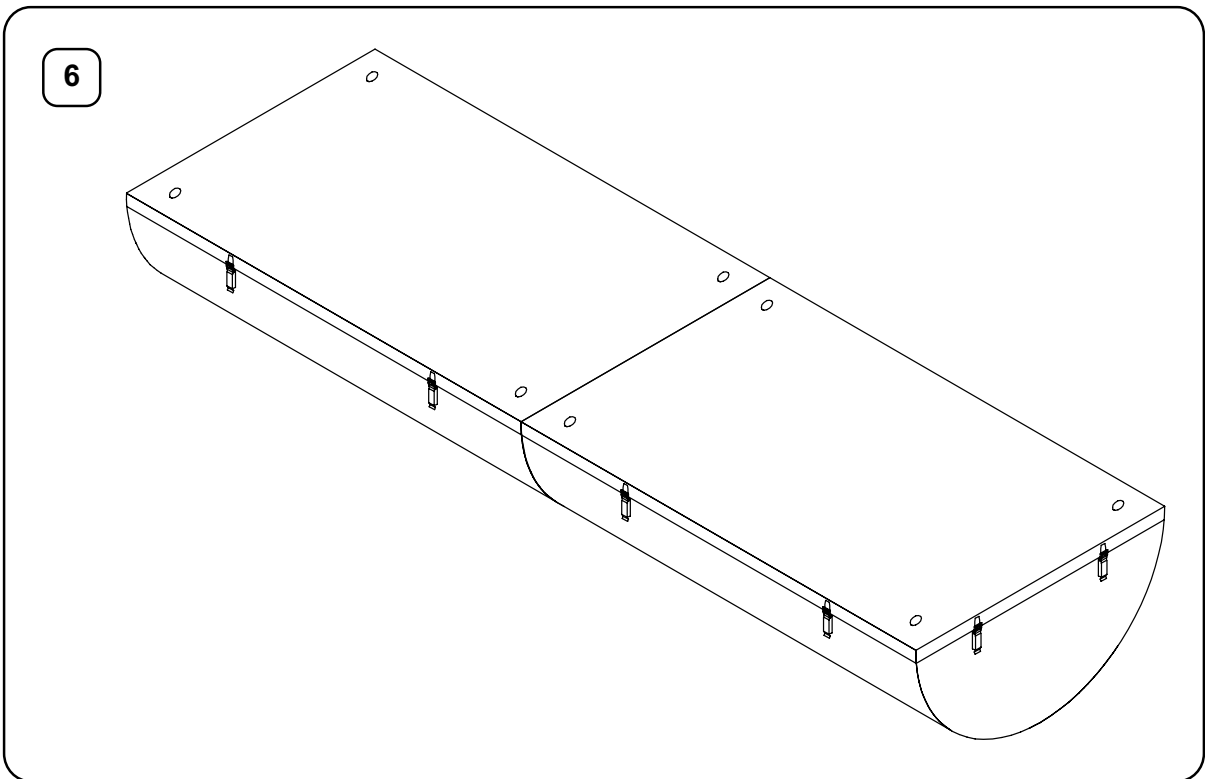
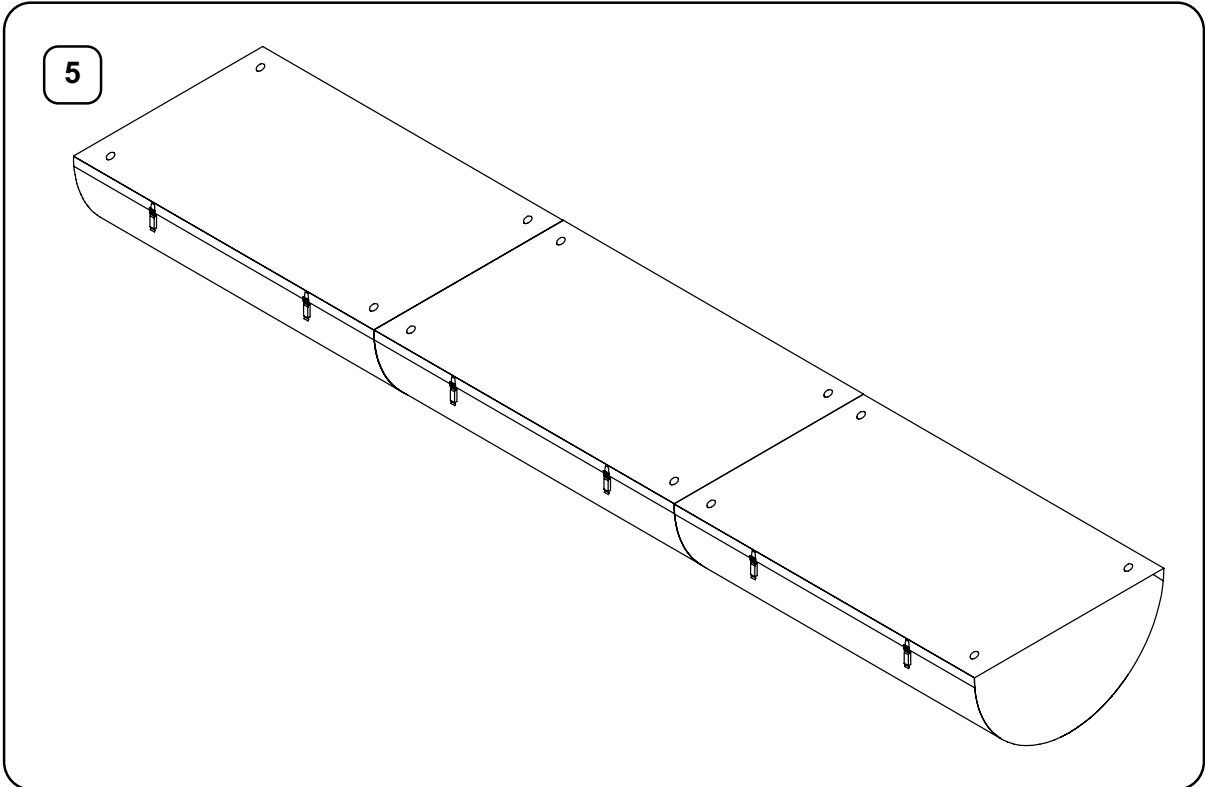






Attention To close the duct, couple the hooks of the following sections in this order:

- 1) male/male duct sections;
- 2) female/female duct sections.





3 MAINTENANCE INSTRUCTIONS

	For machine maintenance work it is mandatory to use the following PPE: 
---	--

Maintenance includes general cleaning of the duct, to be carried out **as needed**.

3.1 METAL DUCT CLEANING

	For cleaning metal ducts it is forbidden to use aggressive or corrosive cleaning agents.
---	---

Metal duct cleaning applies **only** to inspectable semi-circular ducts.

To clean the duct, proceed in the following order:

1. *release the hooks to open the female/female sections of the duct;*
2. *unhook the hooks to open the male/male sections of the duct;*
3. *clean the inside of the duct using a high-pressure cleaner and/or a damp cloth;*
4. *hook the hooks to close the male/male sections of the duct;*
5. *hook the hooks to close the female/female sections of the duct.*

Klimagiel S.r.l.

Via Mezzacampagna, 52/37
37135 Verona (VR), Italy
Tel. +39 045 916672 ext. 208
Fax. +39 045 8344222
E-mail: klimagiel@klimagiel.it
P.Iva/C.f. 02868700234
SDI M5UXCR1
www.klimagiel.it

