

ESTD •

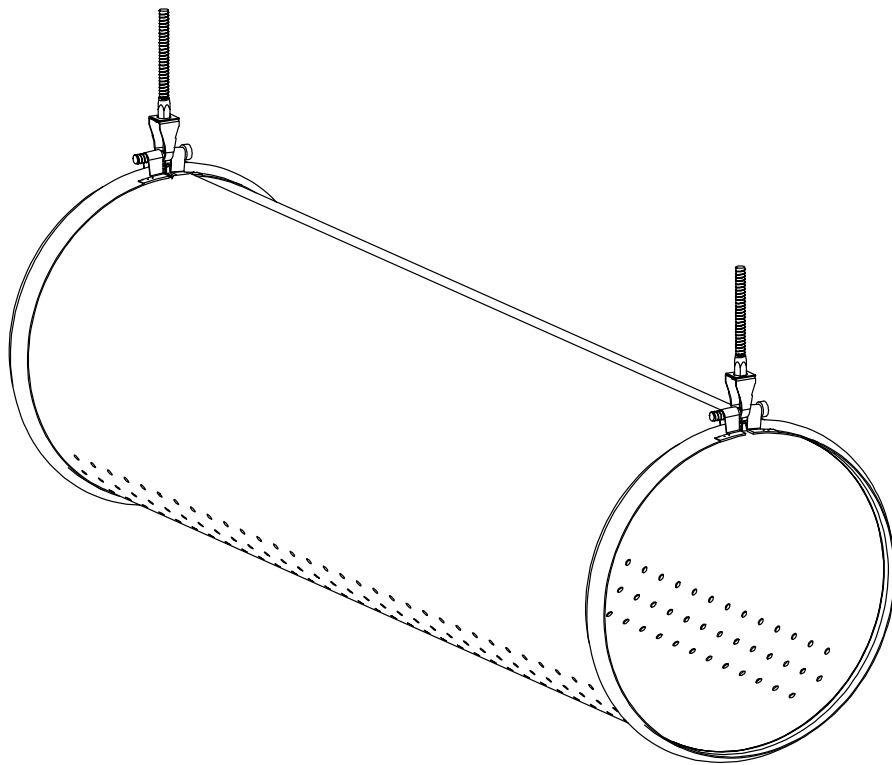


• 1989

KLIMAGIEL®

l'aria che ti rispetta

CLOSED METAL CIRCULAR DUCT



Installation Instructions

Translation of original instructions - EN


1 GENERAL INFORMATION

1.1 RECIPIENTS OF THE DOCUMENT AND TASKS

This Document is intended for the Technical Installer personnel who have the technical-professional requisites to carry out specialised work on the product, in compliance with the instructions contained in this Document and in accordance with the relevant safety standards.





1.2 USING THE SYMBOLS

To draw the attention of users to the correct and safe use of the product, the following graphic symbol is adopted in this Document:

	The symbol is used to call the attention to especially important information.
---	---

The graphic symbols listed in the following table are also adopted in this Document to represent Personal Protective Equipment (PPE).

The symbol of each device will be indicated whenever a particular operation described in this Document requires its use.

SYMBOL	MEANING
	It is mandatory to wear protective gloves when performing the relevant operations.
	It is mandatory to wear protective shoes when performing the relevant operations.
	It is mandatory to wear a protective helmet when performing the relevant operations.
	It is mandatory to wear a protective mask when performing the relevant operations.

Tab. 1 Graphic symbols adopted for PPE

1.3 PRODUCT IDENTIFICATION DATA

Each main component of the product is identified by an identification code described below. Sequential identification codes provide an indication of the assembly sequence.

1.3.1 Metal product identification code

The identification code **(1)** of the metal product is stamped on the surface of the main components of the product (refer to the documentation provided with this Document, in particular the technical drawings).

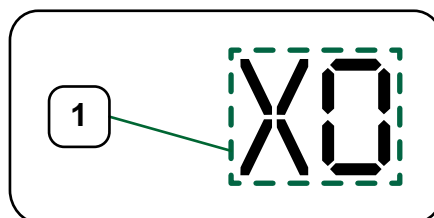
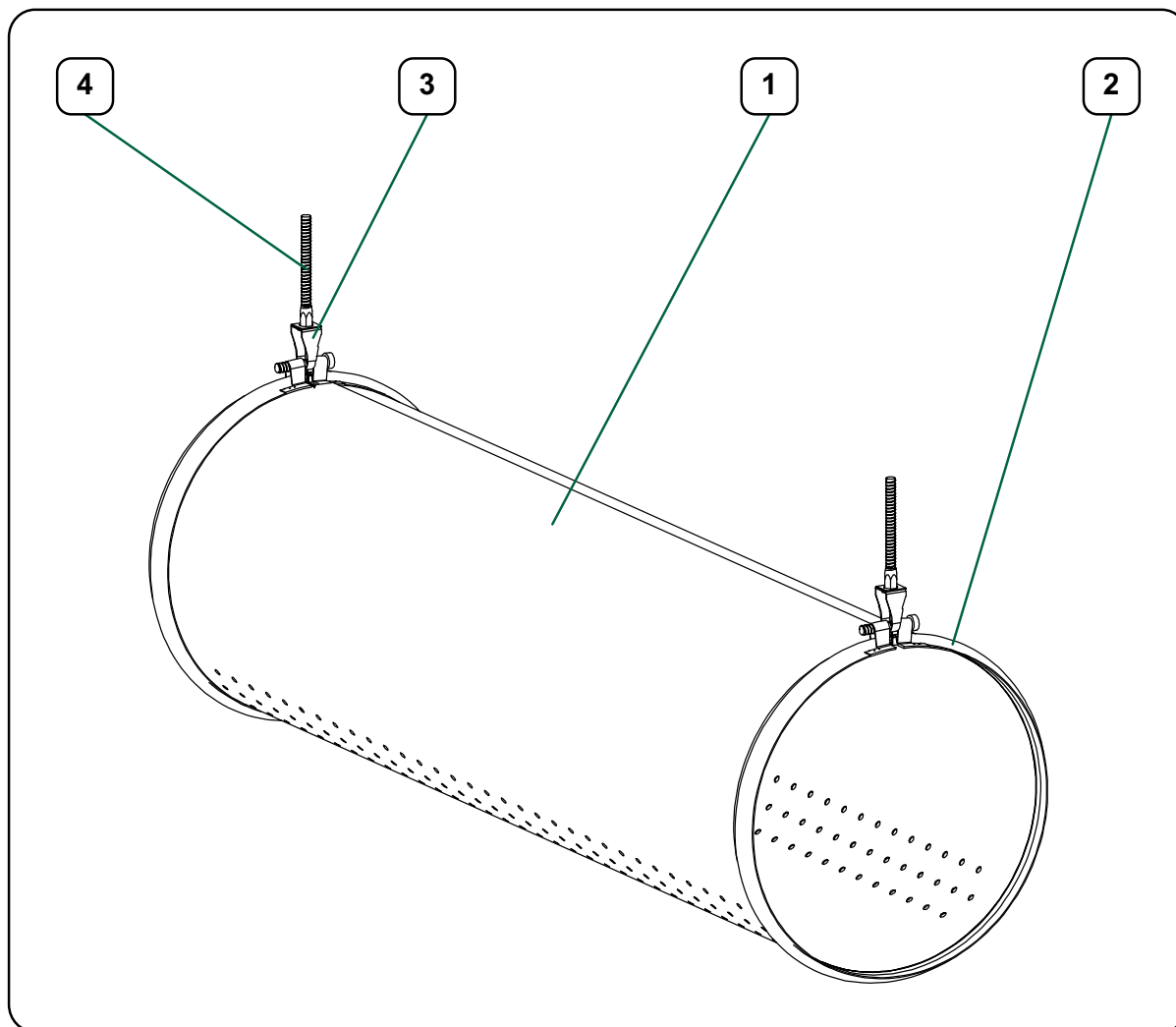


Fig. 1 Metal product identification code

2 CLOSED METAL CIRCULAR DUCT

2.1 GENERAL DESCRIPTION

The product is a closed metal circular duct.
The main components of the product are described below.



REFERENCE	DESCRIPTION	CUSTOMER'S RESPONSIBILITIES
1	Duct, consisting of: - intermediate sections; - end cover.	
2	Joint collars	
3	Mounting kit, consisting of: - slots; - M8 threaded inserts.	
4	Threaded rods	X

Tab. 2 General description

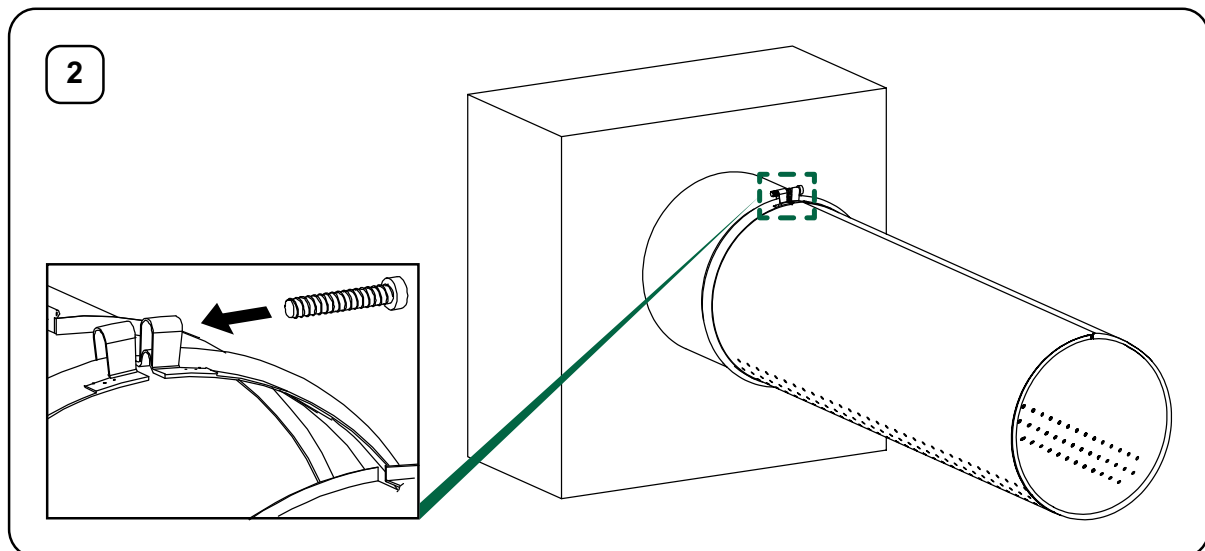
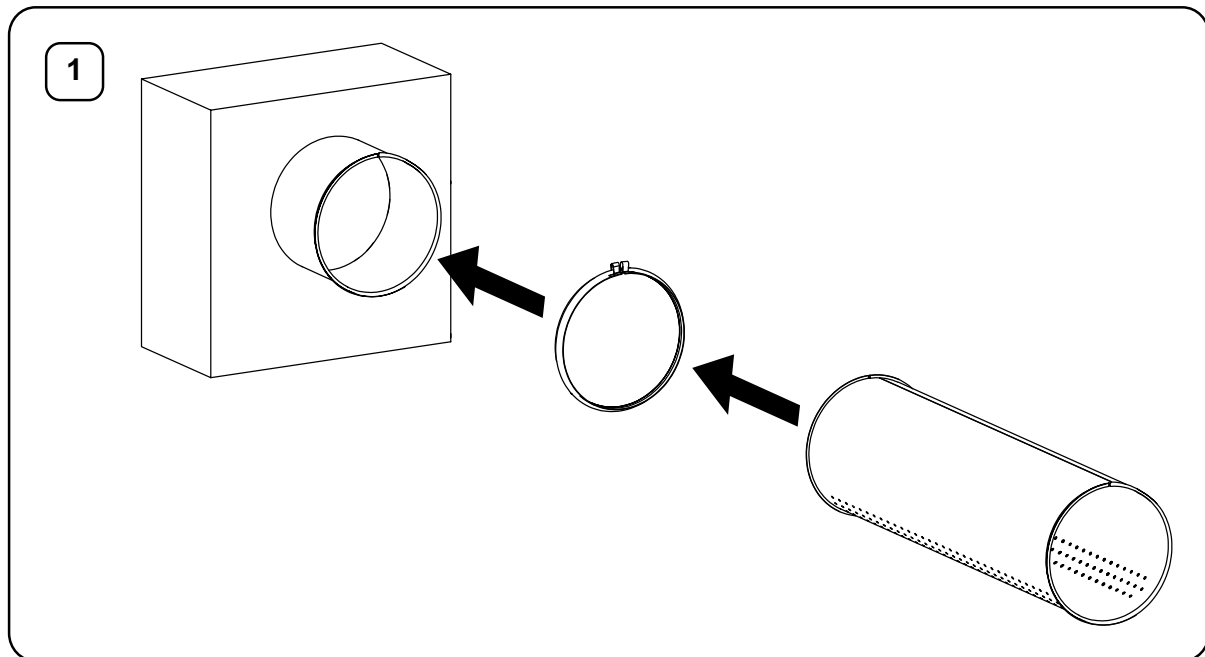
2.2 INSTALLATION INSTRUCTIONS

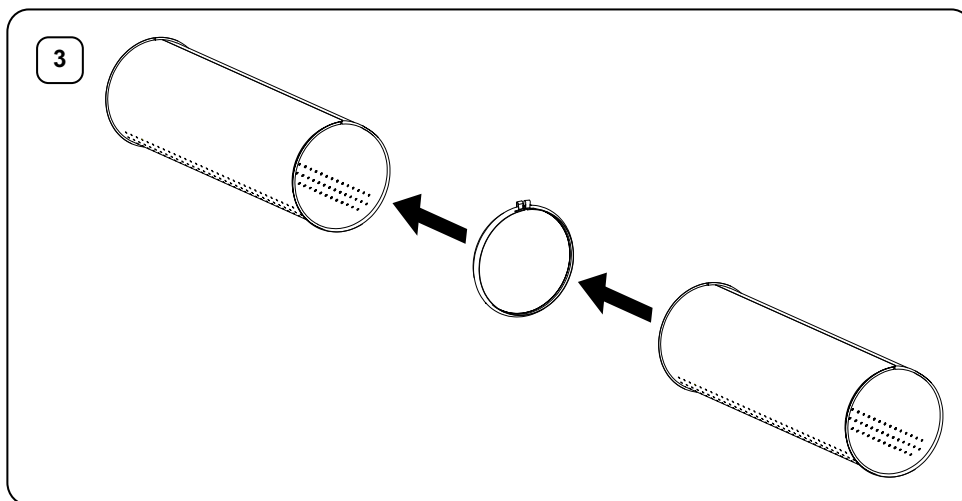


A standard tool kit must be prepared for installation operations.
The following PPE must be used for installation operations **it is mandatory**:



Make a 7 mm profile on the inlet.

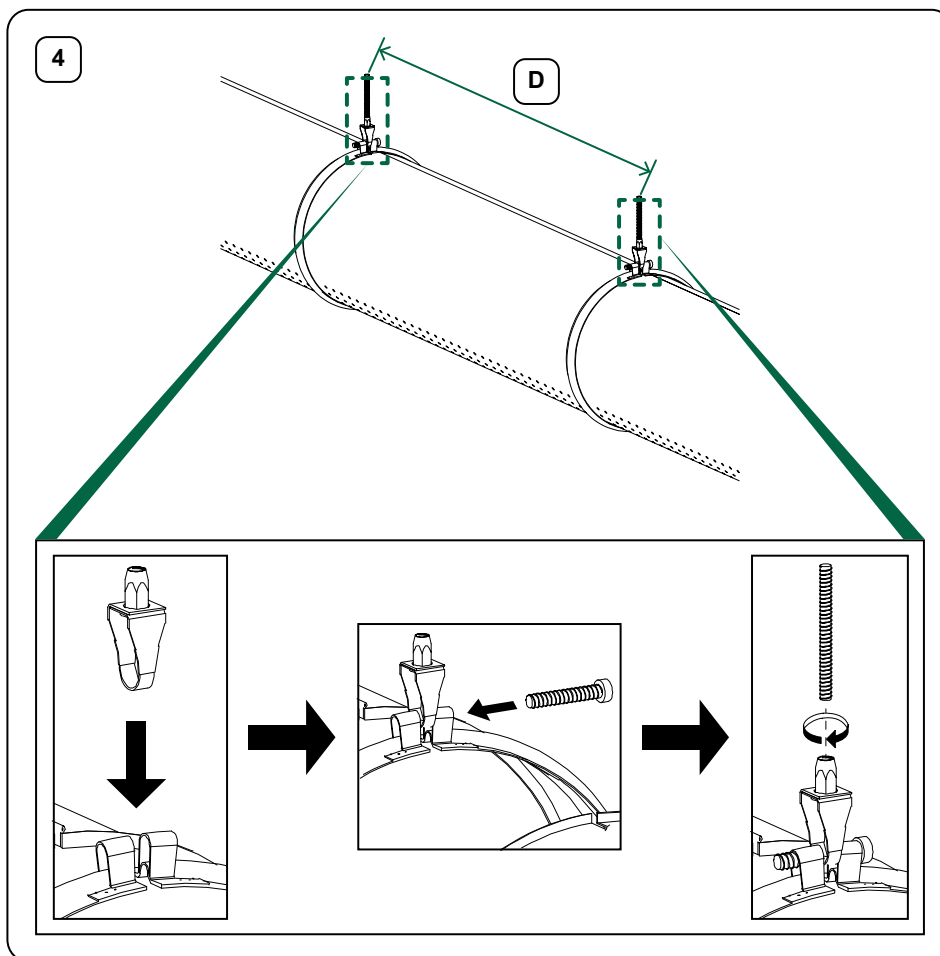




Install the threaded rods with the recommended centre distance (**D**):

- equal to the length of 2 sections, in the case of a duct with a diameter of less than or equal to 500 mm;
- equal to the length of 1 section, in the case of a duct with a diameter greater than 500 mm.

Refer to the documentation supplied with this Document for the duct size.



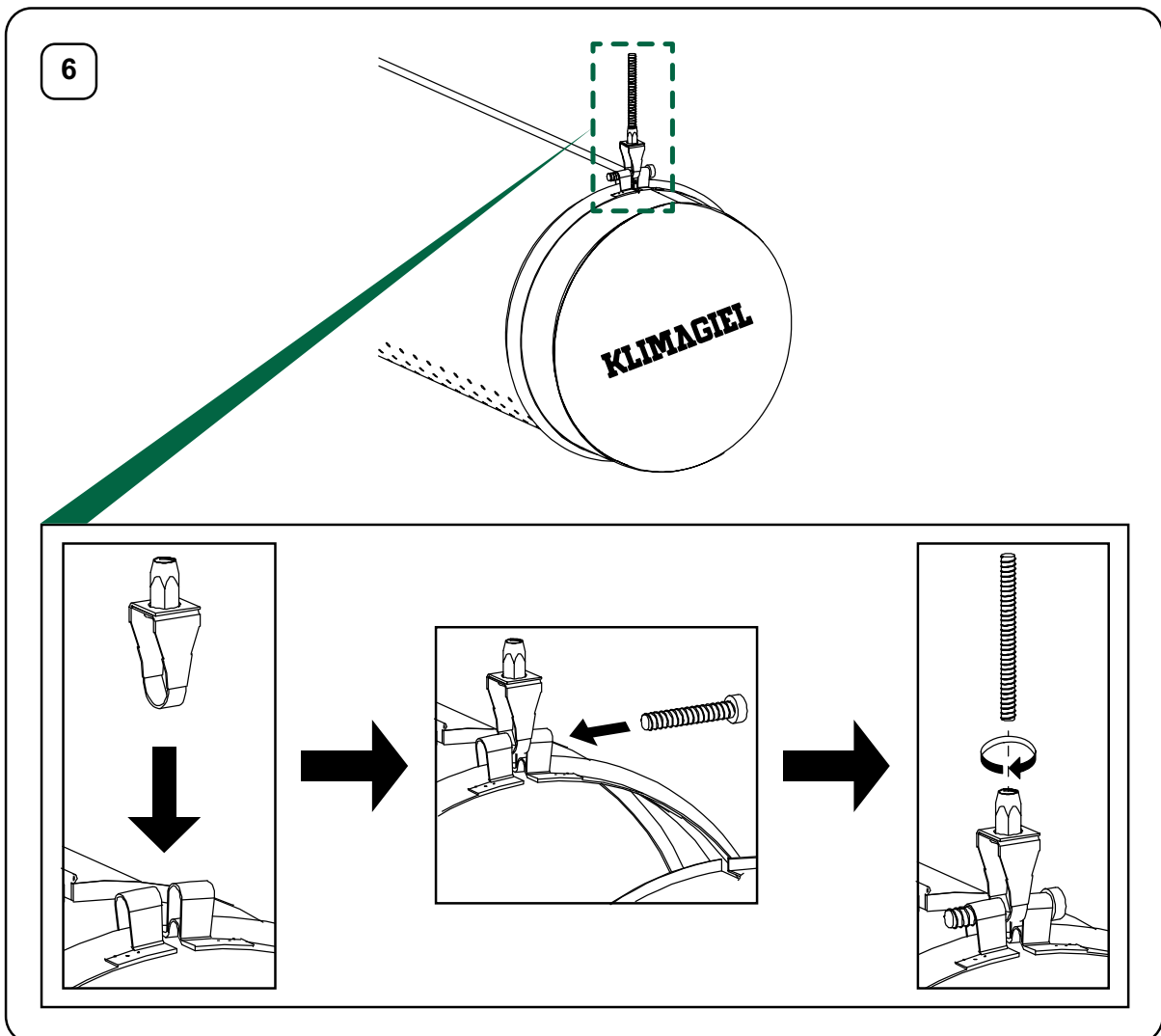
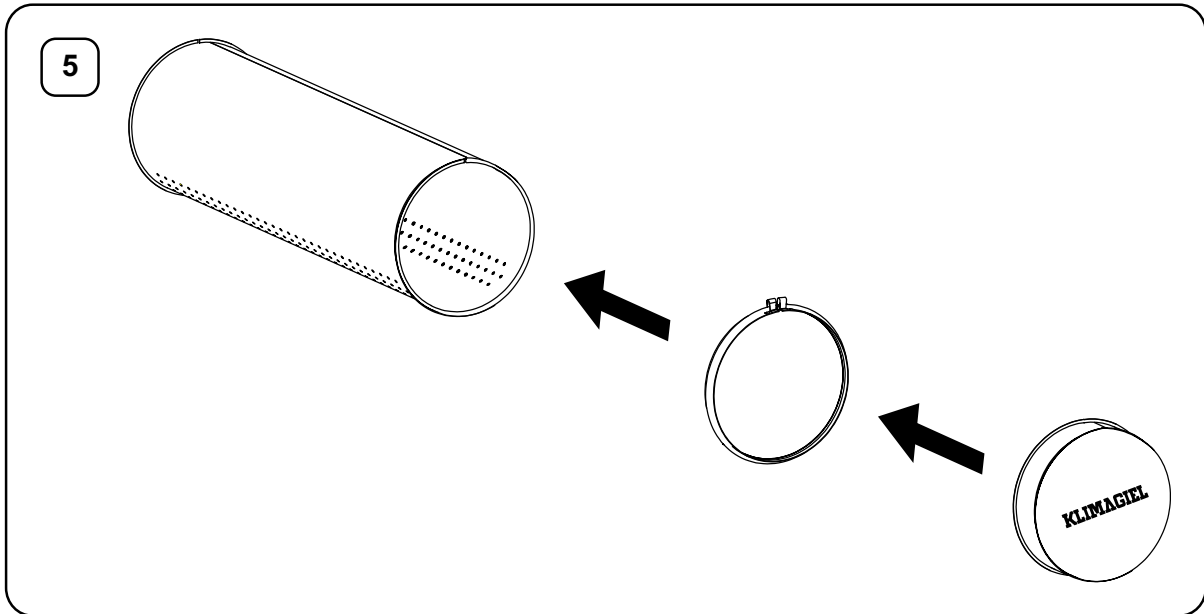


ESTD ·

· 1989

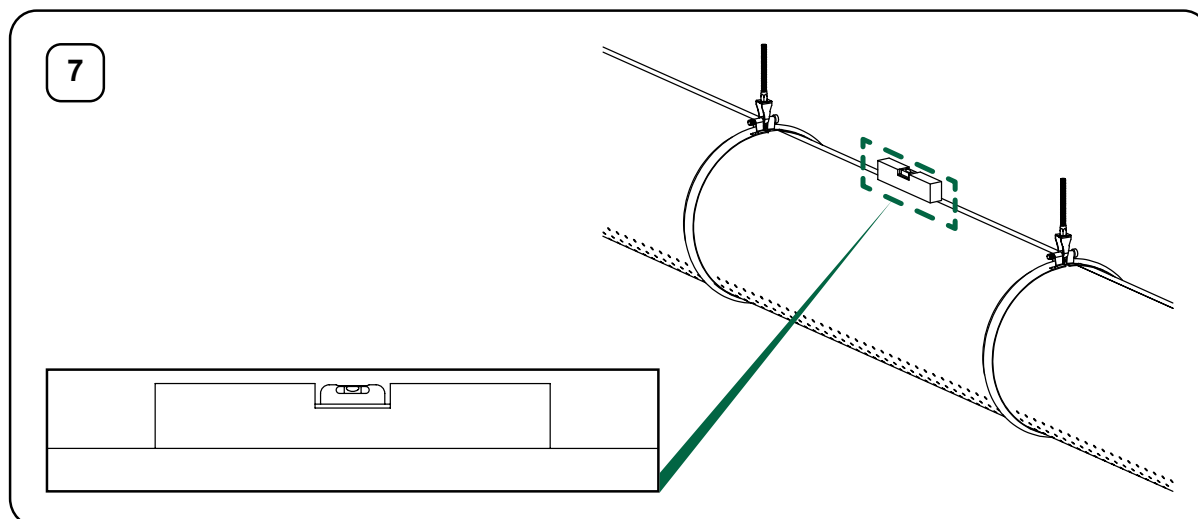
KLIMAGIEL®

Closed metal circular duct





Act on the M8 threaded inserts to change:
- the horizontal alignment of the duct;
- the vertical position of the duct.



Klimagiel S.r.l.

Via Mezzacampagna, 52/37
37135 Verona (VR), Italy
Tel. +39 045 916672 ext. 208
Fax. +39 045 8344222
E-mail: klimagiel@klimagiel.it
P.Iva/C.f. 02868700234
SDI M5UXCR1
www.klimagiel.it

