

ESTD •

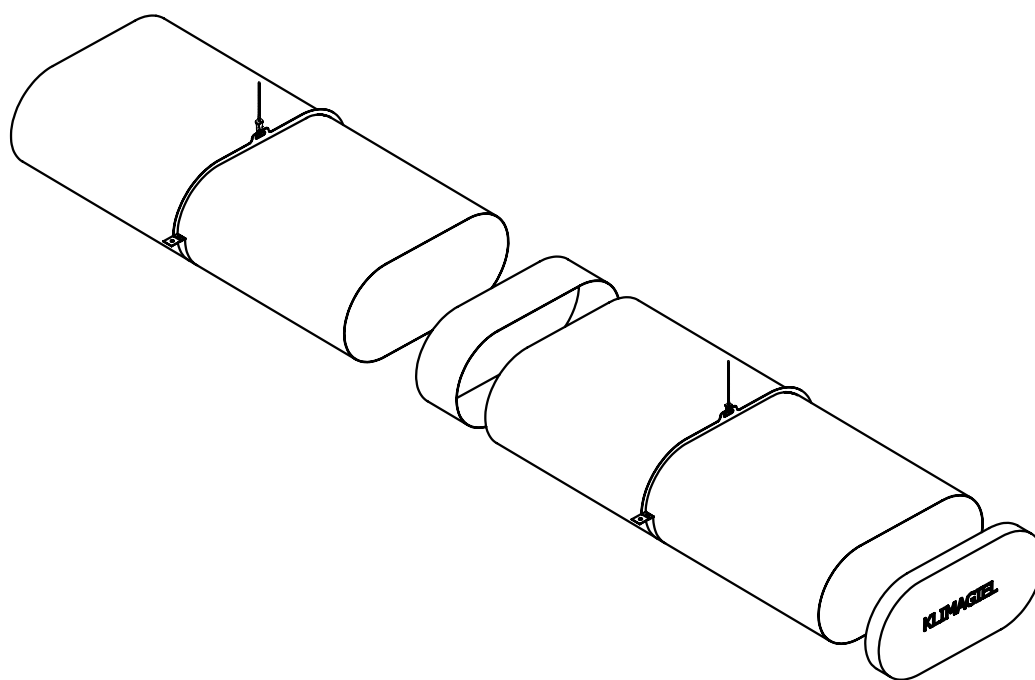


• 1989

KLIMAGIEL®

l'aria che ti rispetta

OVAL METAL DUCT WITH NIPPLE CONNECTOR



Installation Instructions

Translation of original instructions - EN


1 GENERAL INFORMATION

1.1 RECIPIENTS OF THE DOCUMENT AND TASKS

This Document is intended for the Technical Installer personnel who have the technical-professional requisites to carry out specialised work on the product, in compliance with the instructions contained in this Document and in accordance with the relevant safety standards.





1.2 USING THE SYMBOLS

To draw the attention of users to the correct and safe use of the product, the following graphic symbol is adopted in this Document:

	The symbol is used to call the attention to especially important information.
---	---

The graphic symbols listed in the following table are also adopted in this Document to represent Personal Protective Equipment (PPE).

The symbol of each device will be indicated whenever a particular operation described in this Document requires its use.

SYMBOL	MEANING
	It is mandatory to wear protective gloves when performing the relevant operations.
	It is mandatory to wear protective shoes when performing the relevant operations.
	It is mandatory to wear a protective helmet when performing the relevant operations.
	It is mandatory to wear a protective mask when performing the relevant operations.

Tab. 1 Graphic symbols adopted for PPE

1.3 PRODUCT IDENTIFICATION DATA

Each main component of the product is identified by an identification code described below. Sequential identification codes provide an indication of the assembly sequence.

1.3.1 Metal product identification code

The identification code **(1)** of the metal product is stamped on the surface of the main components of the product (refer to the documentation provided with this Document, in particular the technical drawings).

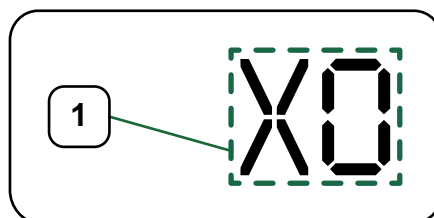


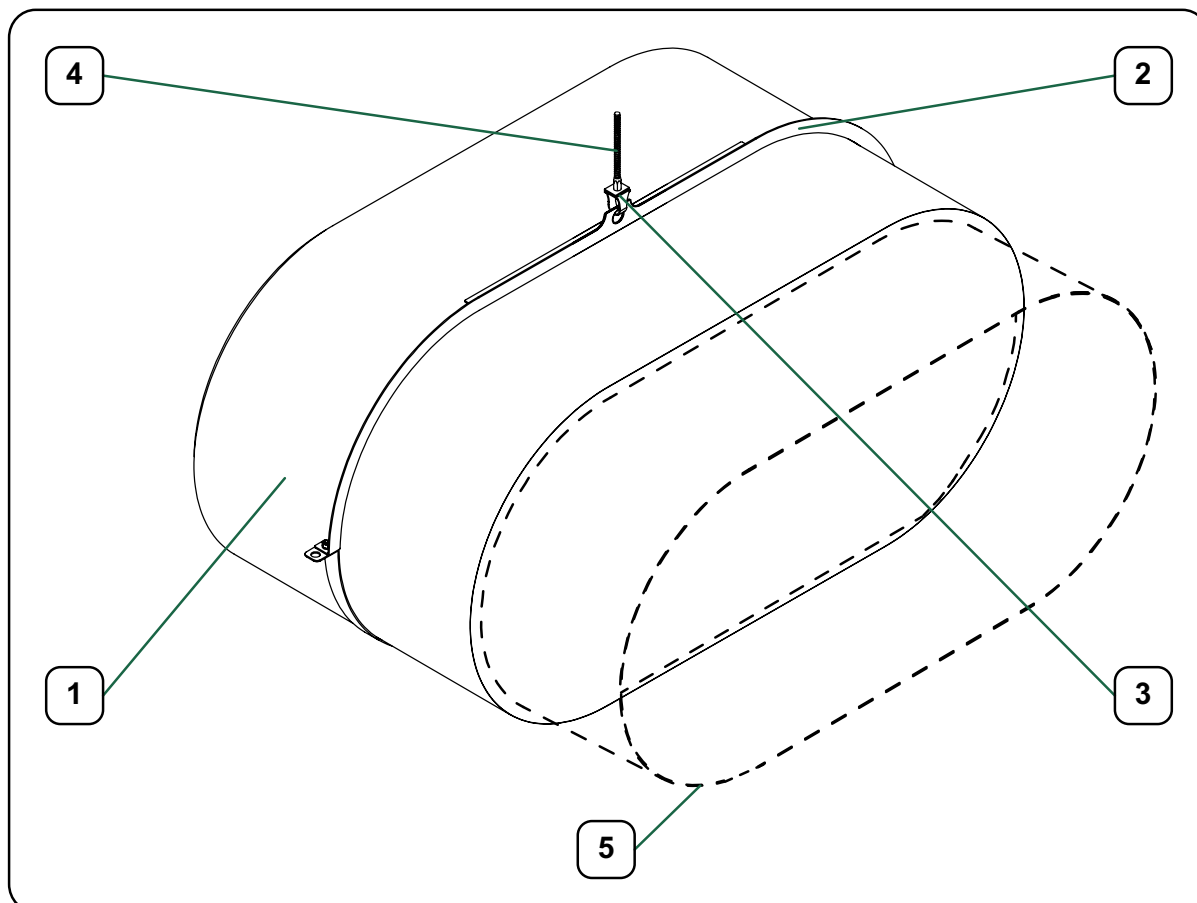
Fig. 1 Metal product identification code

2 OVAL METAL DUCT

2.1 GENERAL DESCRIPTION

The product is an oval metal duct.

The main components of the product are described below.



REFERENCE	DESCRIPTION	CUSTOMER'S RESPONSIBILITIES
1	Duct, consisting of: - intermediate sections; - terminal section.	
2	Support collars, consisting of: - upper bracket; - lower bracket.	
3	Mounting kit, consisting of: - slots; - M8 threaded inserts; - bolts (screws, nuts, washers).	
4	Threaded rods	X
5	Nipple connector	

Tab. 2 General description



ESTD ·

· 1989

KLIMAGIEL®

Oval metal duct with nipple connector

2.2 INSTALLATION INSTRUCTIONS



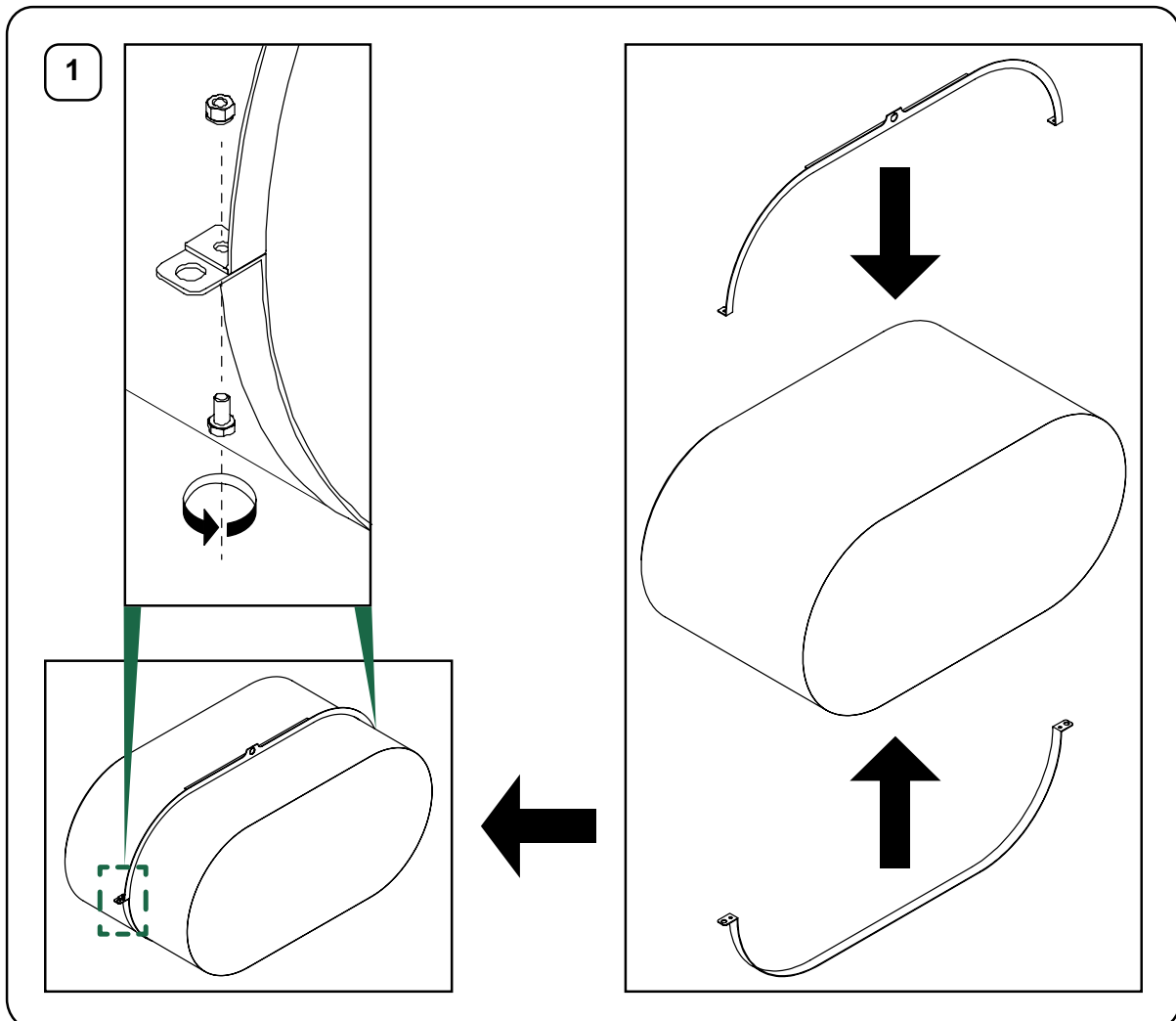
A standard tool kit must be prepared for installation operations.
The following PPE must be used for installation operations **it is mandatory**:



Instructions for the single-hanger installation of the duct are described below.
However, the following instructions are also generally valid for two-hanger duct installation.



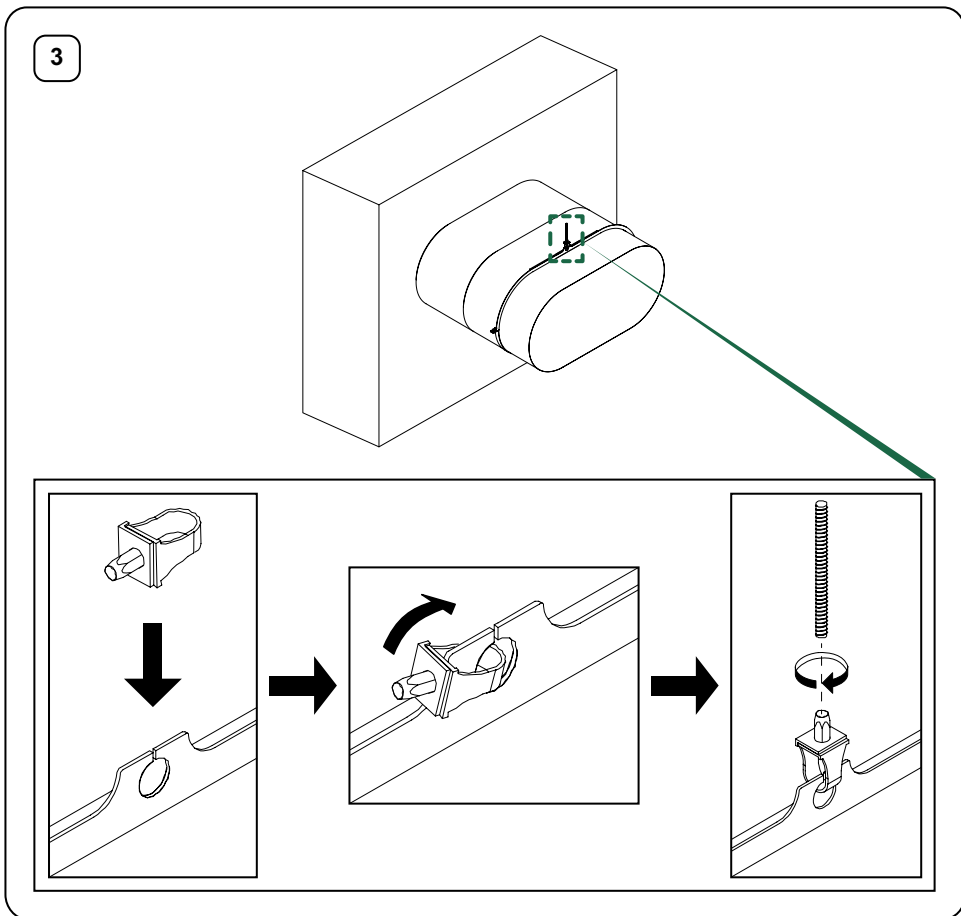
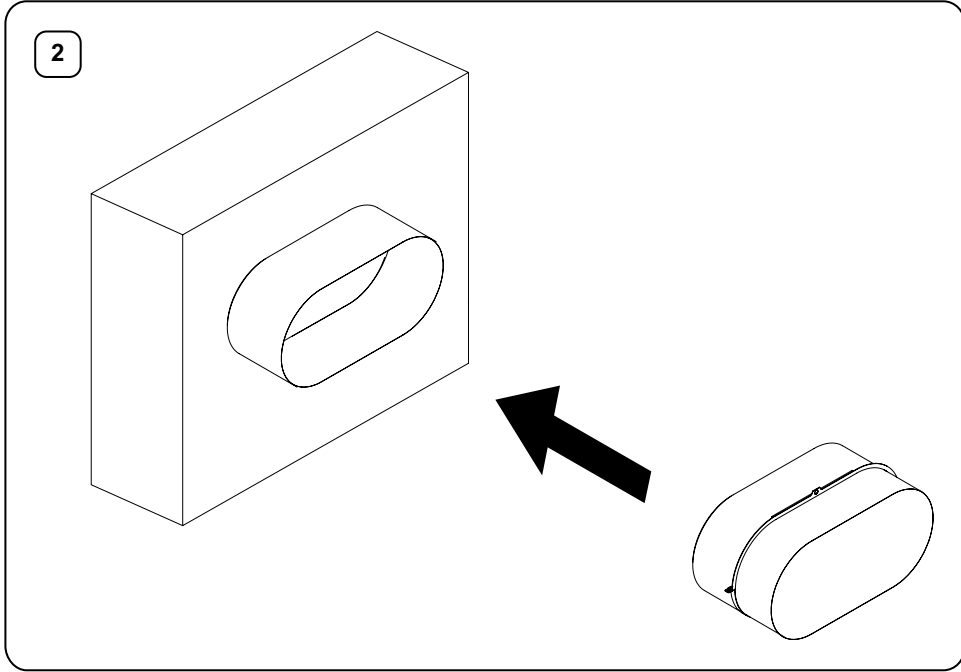
Install the support collars in the centre of each duct section.



Oval metal duct with nipple connector



Profile the inlet in such a way as to allow the male-female connection of the duct.



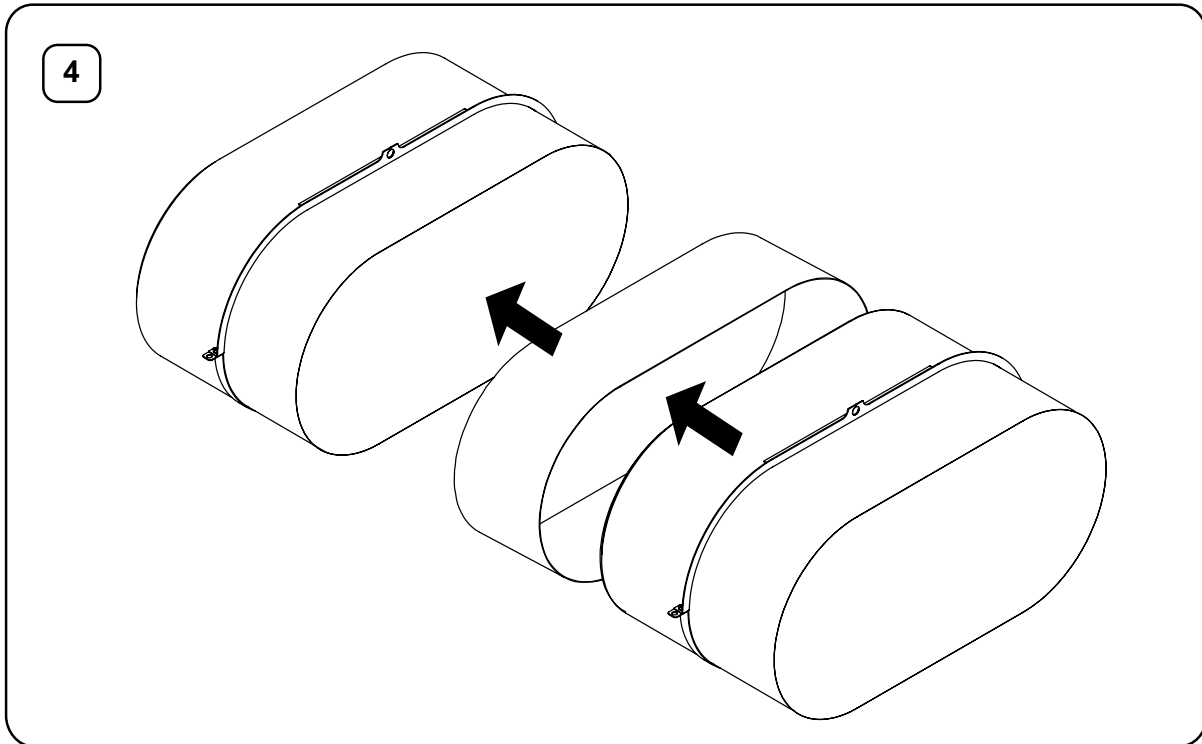


ESTD ·

· 1989

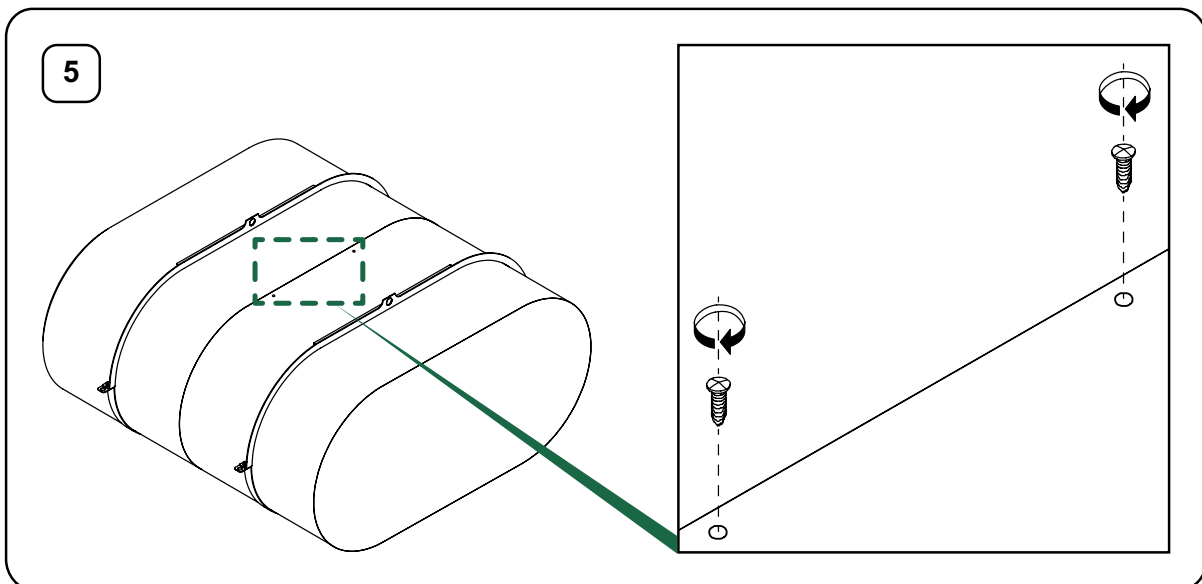
KLIMAGIEL®

Oval metal duct with nipple connector

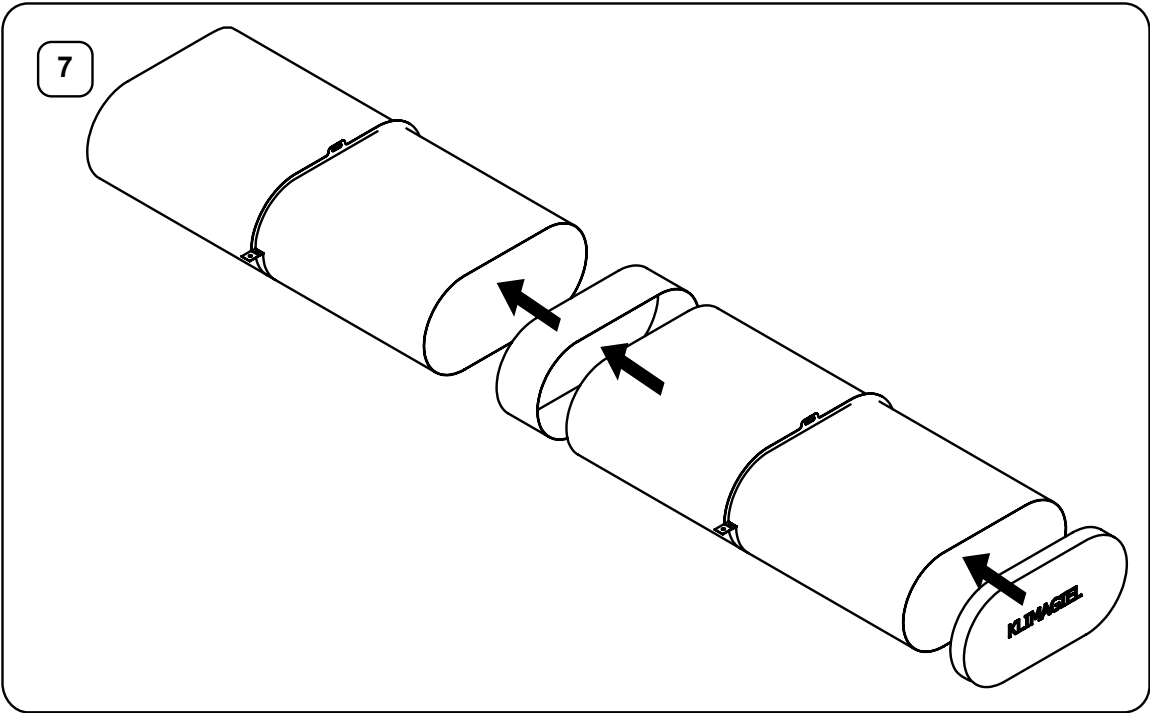
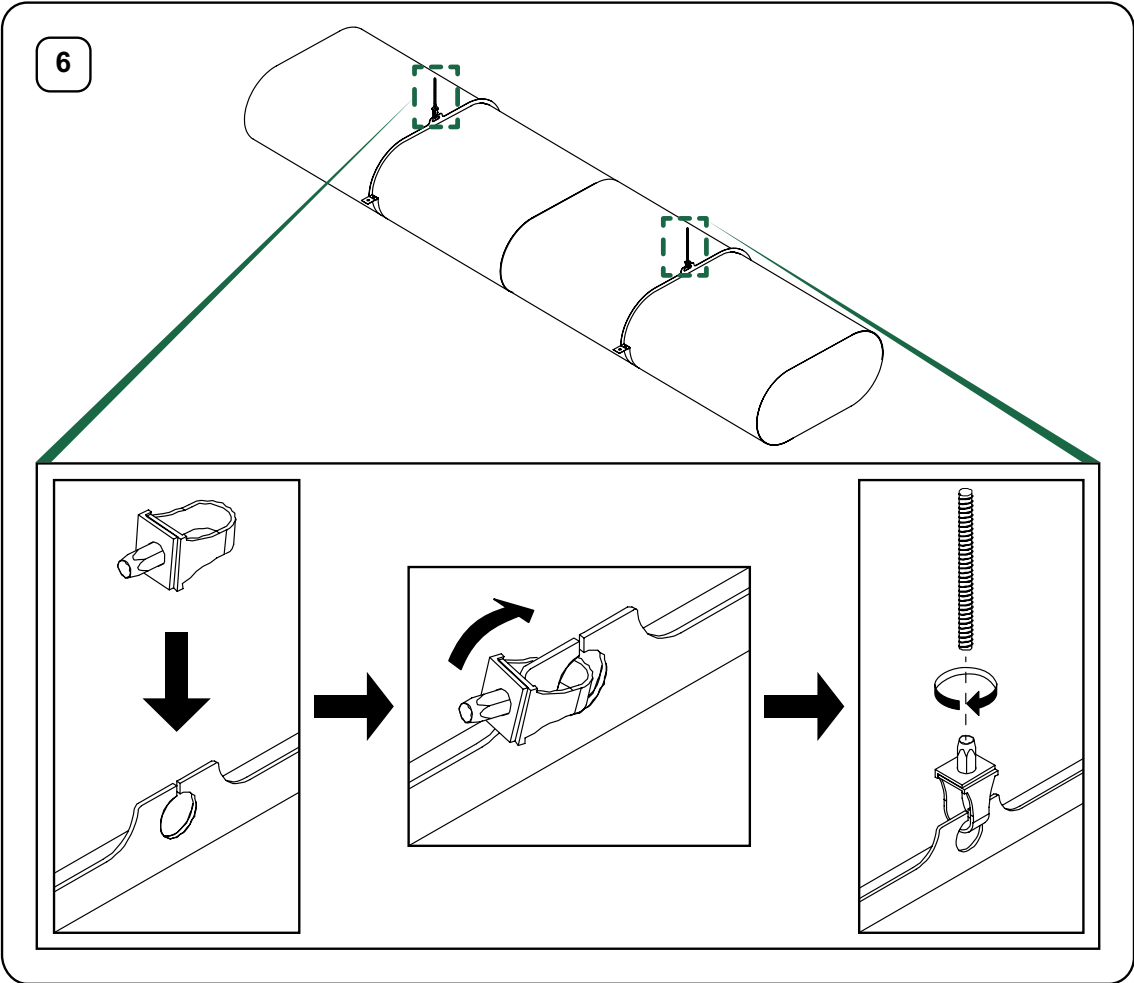


Fasten the duct sections together by 3 screws:

- 2 screws at the top of the duct;
- 1 screw at the bottom of the duct.



Oval metal duct
with nipple connector





ESTD ·

1989

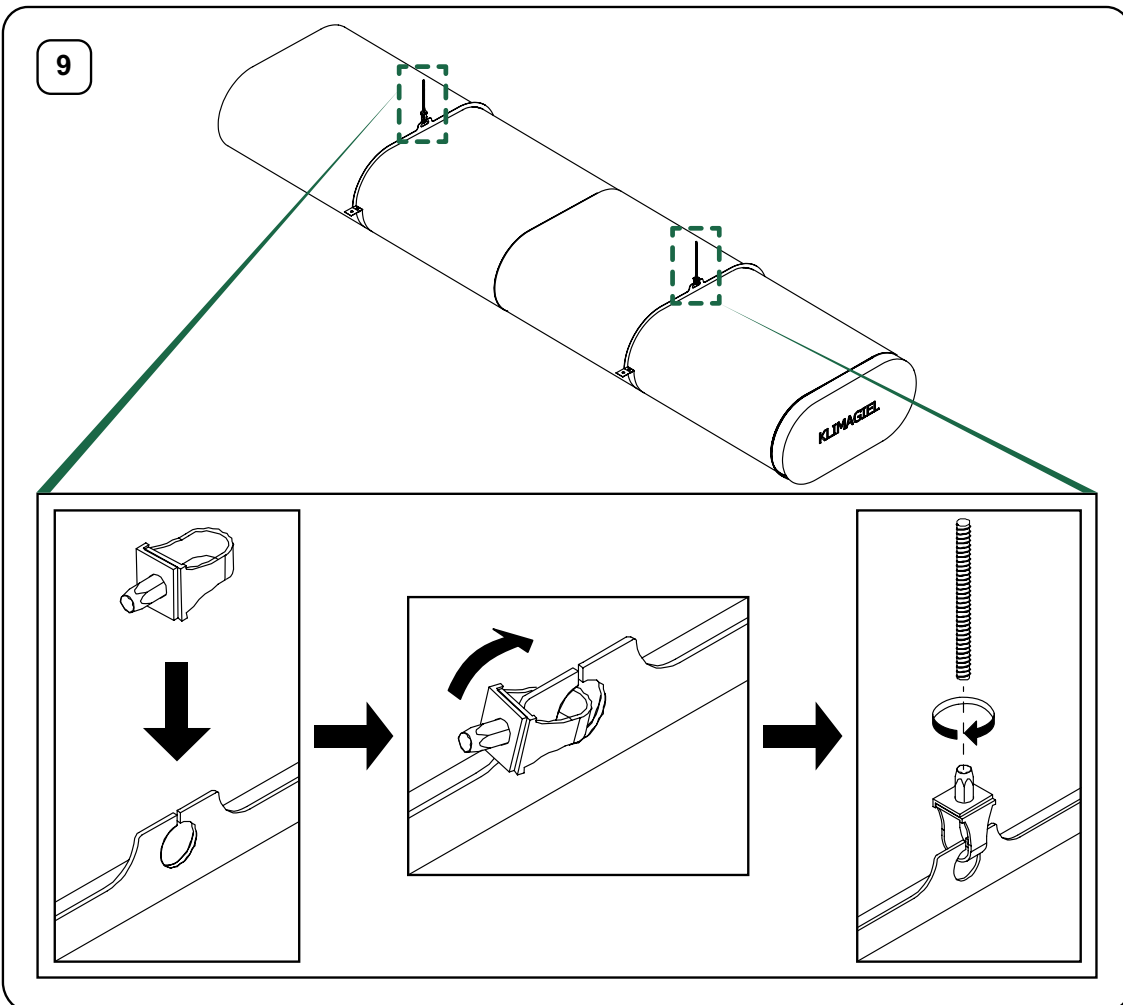
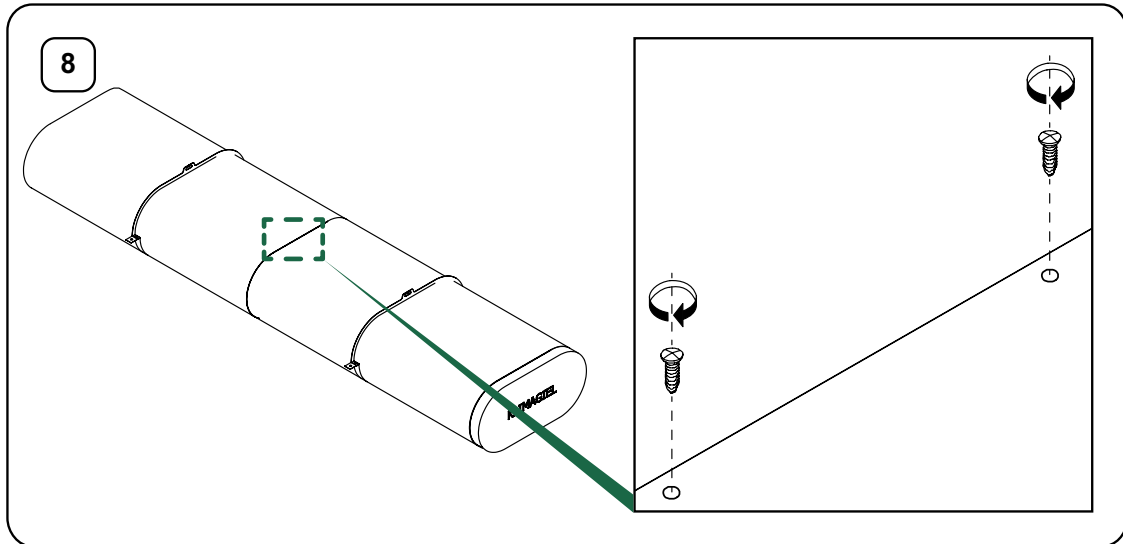
KLIMAGIEL®

Oval metal duct with nipple connector



Secure the end section to the duct by 3 screws:

- 2 screws at the top of the duct;
- 1 screw at the bottom of the duct.

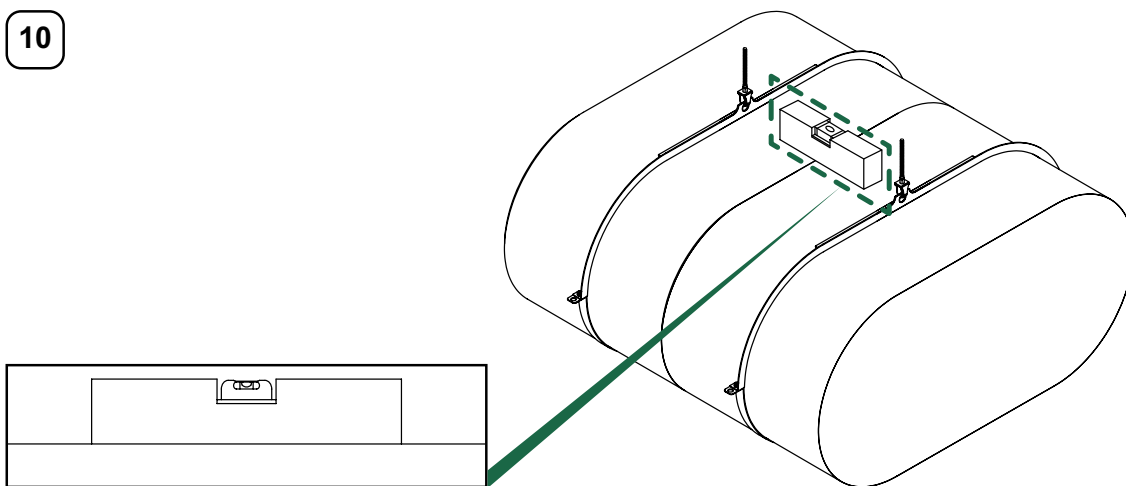


Oval metal duct with nipple connector



Act on the M8 threaded inserts to change:
- the horizontal alignment of the duct;
- the vertical position of the duct.

10



In the case of painted duct, apply paint to the fixing screws of the duct sections and the end section using the touch-up kit provided by the Manufacturer.



ESTD ·

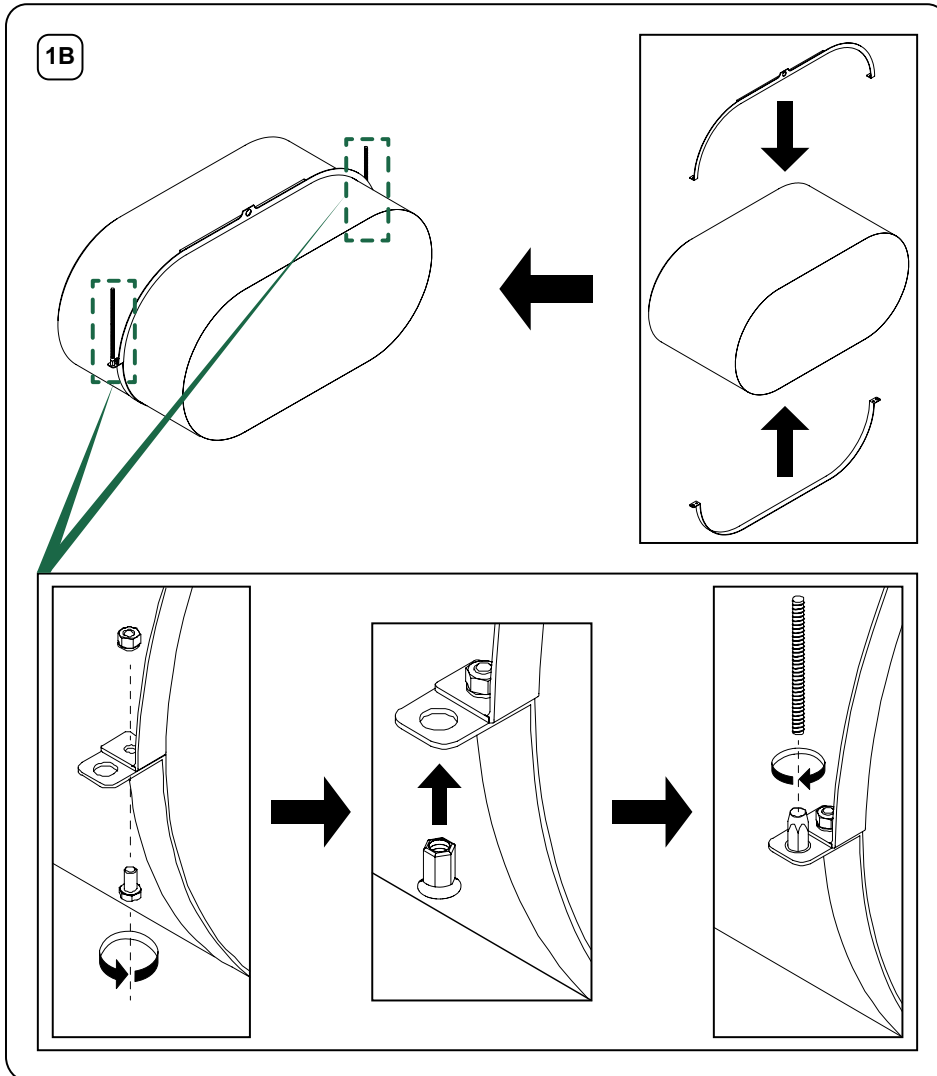
· 1989

KLIMAGIEL®

Oval metal duct with nipple connector



For specific site requirements and/or to ensure greater structural stability, it is possible to carry out a two-hanger installation of the duct. For two-hanger duct installation, insert M8 threaded inserts into the side holes of the lower bracket.



Klimagiel S.r.l.

Via Mezzacampagna, 52/37
37135 Verona (VR), Italy
Tel. +39 045 916672 ext. 208
Fax. +39 045 8344222
E-mail: klimagiel@klimagiel.it
P.Iva/C.f. 02868700234
SDI M5UXCR1
www.klimagiel.it

